

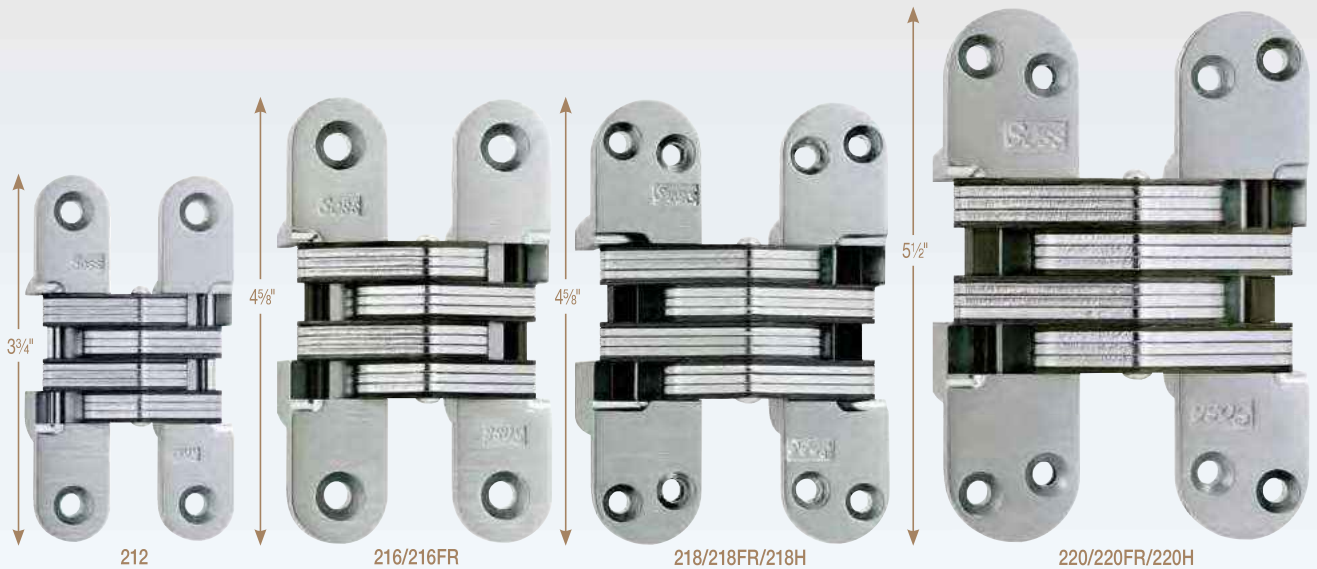
Model

SOSS218 ORIGINAL SOSS

Stock Finishes:

- US4 - Satin Brass
- US26D - Satin Chrome
- US19 - Flat Black
- US15 - Satin Nickel

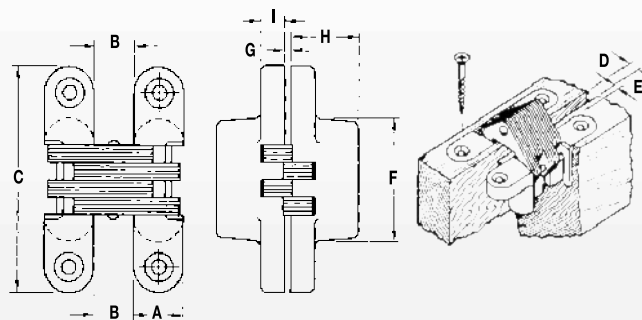
EXCLUSIVE DOOR HARDWARE



	Medium Duty		Heavy Duty	
Dimension	212	216/216FR	218/218FR/218H	220/220FR/220H
A	3/4"(19.05mm)	1"(25.40mm)	1 1/8"(28.58mm)	1 3/8"(34.93mm)
B	3 5/64"(13.89mm)	4 7/64"(18.65mm)	7/8"(22.23mm)	1 1/8"(26.99mm)
C	3 3/4"(95.25mm)	4 5/8"(117.48mm)	4 5/8"(117.48mm)	5 1/2"(139.70mm)
D	1 1/64"(4.37mm)	1 5/64"(5.95mm)	3/8"(9.53mm)	1/2"(12.70mm)
E	3/16"(4.76mm)	1/4"(6.35mm)	1/4"(6.35mm)	9/32"(7.14mm)
F	2 1/16"(52.39mm)	2 9/32"(65.88mm)	2 15/32"(62.71mm)	2 15/16"(74.61mm)
G	3/64"(1.19mm)	1/16"(1.59mm)	1/16"(1.59mm)	1/16"(1.59mm)
H	1 5/64"(27.38mm)	1 15/32"(37.31mm)	1 41/64"(41.67mm)	1 63/64"(50.40mm)
I	3/8"(9.53mm)	1 5/32"(11.91mm)	1 3/32"(10.32mm)	1 5/32"(11.91mm)
Minimum Material Thickness	1 1/8"(28.58mm)	1 3/8"(34.93mm)	1 3/4"(44.45mm)	2"(50.80mm)
Wood Screw Sizes	#10x1 1/4"(4.8x32mm)	#14x1 1/2"(6.3x38mm)	#10x1 1/2"(4.8x38mm)	#12x1 1/2"(5.5x38mm)
Soft Wood Pilot Hole	No. 43	No. 32	No. 43	No. 38
Hard Wood Pilot Hole	No. 31	No. 10	No. 31	No. 25
Machine Screw Sizes	#10-24x3/4"	#1/4-20x1"	#10-24x1"	#12-24x1"
Hinge Weight	.75 lb.	1.65 lb.	1.86 lb.	3.15 lb.

NOTE: Refer to page 51 for assistance with choosing the right hinge for the job. Refer to page 40 for fire-rated information. Refer to inside back cover for color chips.

KEY TO DIMENSIONS SHOWN IN CHARTS



All hinges are shipped with the proper size wood screws unless ordered without. Machine screws available upon request for an additional charge. Models 216/216FR, 218/218FR and 220/220FR are shipped with the proper size wood and machine screws unless ordered without. Do not exceed "E" dimension.

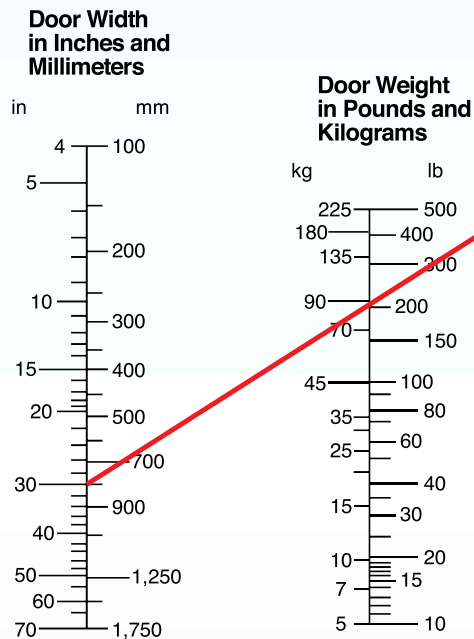
Choosing the Right Hinge and the Right Number of Hinges

For your convenience, an interactive, easy to use hinge sizing calculator is available on our website, www.soss.com.

If the information you need is not on the online calculator or this chart, consult the factory.

To obtain the best performance from SOSS Invisible Hinges, it is recommended that the largest hinge model be used for the material thickness of the door.

Every door should be provided with at least one hinge for every 30 inches in height or portion thereof; however, more hinges may be required per chart below.



For example, a 90" door needs three hinges and a 91" door needs four.

DIRECTIONS

After determining the weight and width of the door, draw a straight line through the door width and weight to line "A", as indicated in the example.

Continue with a horizontal line sideways from the point of intersection with line "A" until the door thickness is reached. Use the number of hinges and the model number indicated on this line.

To use this chart as a working guide, we suggest that you photocopy this page.

Hinge Number	METAL				WOOD & METAL									
	9/16	5/8	1/2	11/16	3/4		1		1 1/8		1 3/4			
	14.29mm	15.88mm	12.70mm	17.46mm	19.05mm		25.40mm		28.56mm		34.93mm			
114														
314														
205														
106														
100														
101														
303														
103														
203														
204														
208														
212														
216														
218														
220														

NOTE: For Fire-Rated Hinges, use formulas described on page 40.

EXAMPLE

A wood door 30" wide, 200 lbs., with a thickness of 1 3/4" will require four #218 SOSS Invisible Hinges. The red line shows how the sizing and selection were determined from the hinge sizing chart.

The hinge sizing chart above has been developed to assist you in determining the correct size and number of hinges for your installation.

NOTE: For doors that exceed size/weight on this chart, consider using our new Hercules hinges shown on page 37.