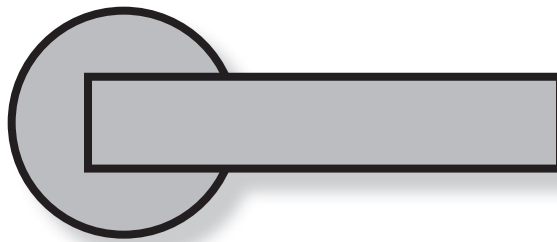


## INSTALLATION INSTRUCTIONS

# Lever on Euro (Small) Rosette

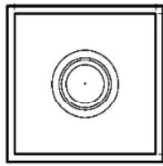


# Tubular Latch

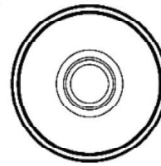
**ALL FUNCTIONS**

# Installation Instructions Euro (Small Rosette) Tubular Latch non-bored conditions

May 2022



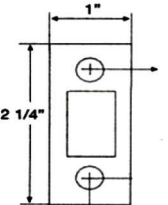
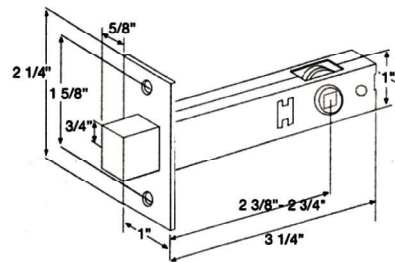
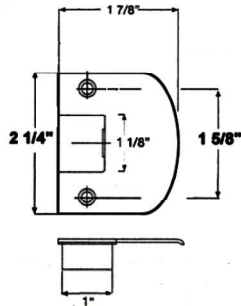
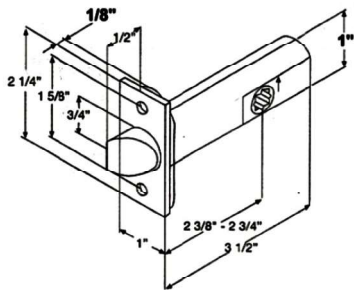
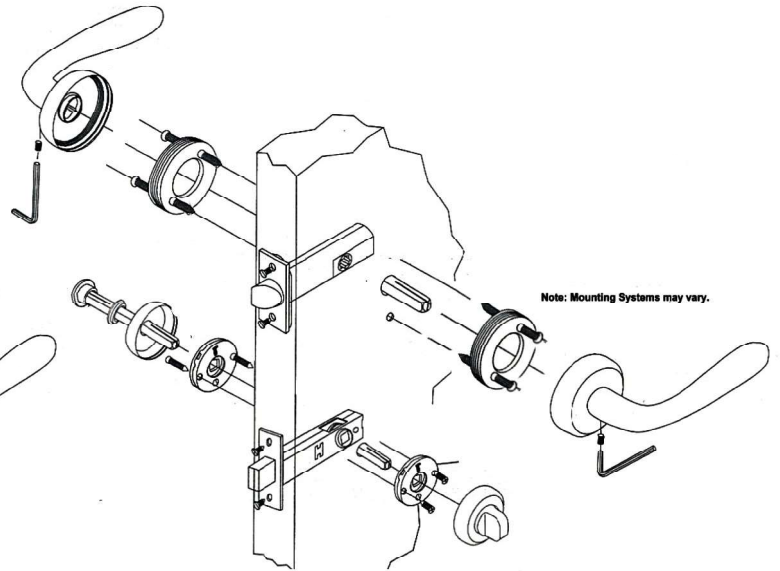
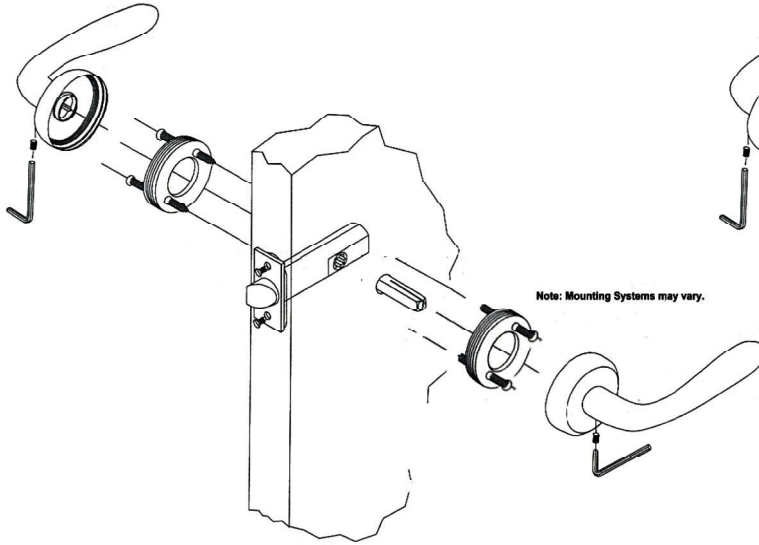
**R8-SQ**  
55mm x 55mm  
(2" x 2")



**R8-RD**  
55mm x 55mm  
(2" x 2")

**Passage Function 05** 2 3/8" or 2 3/4" Backset

**Privacy Function 15** 2 3/8" or 2 3/4" Backset



## TEMPLATE

## PASSAGE Function 05

## PRIVACY

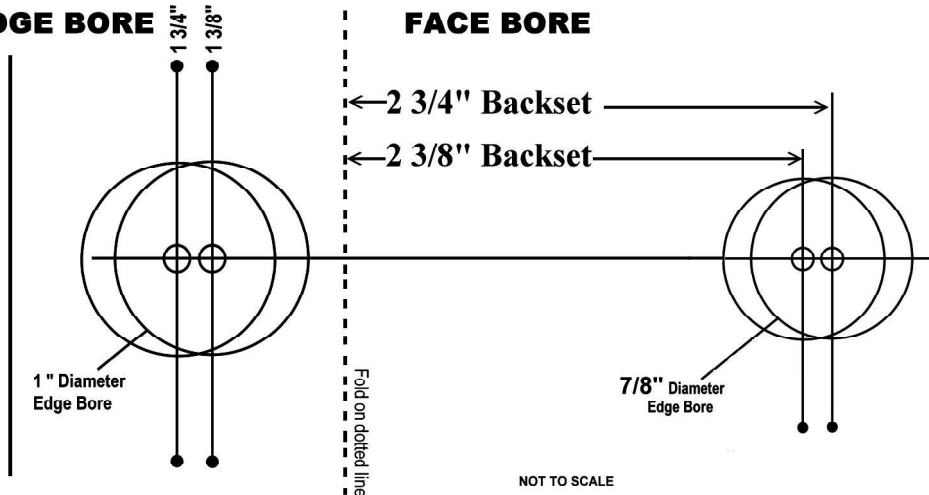
## Function 15

NOTE: TEMPLATE MAY NOT BE TRUE-TO-SIZE. Please use for reference purposes only. DO NOT DRILL until measurements are verified.

DOOR THICKNESS

### EDGE BORE

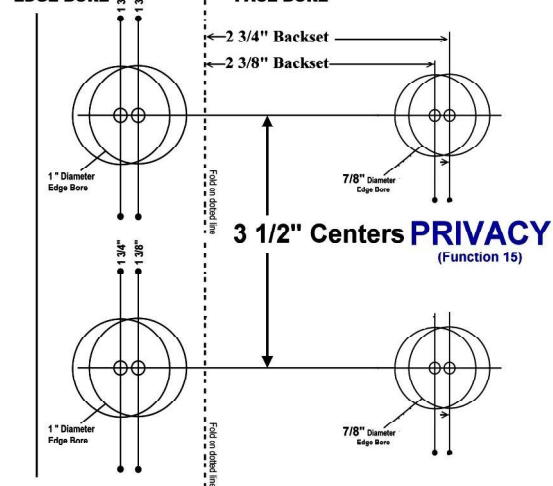
### FACE BORE



DOOR THICKNESS

### EDGE BORE

### FACE BORE

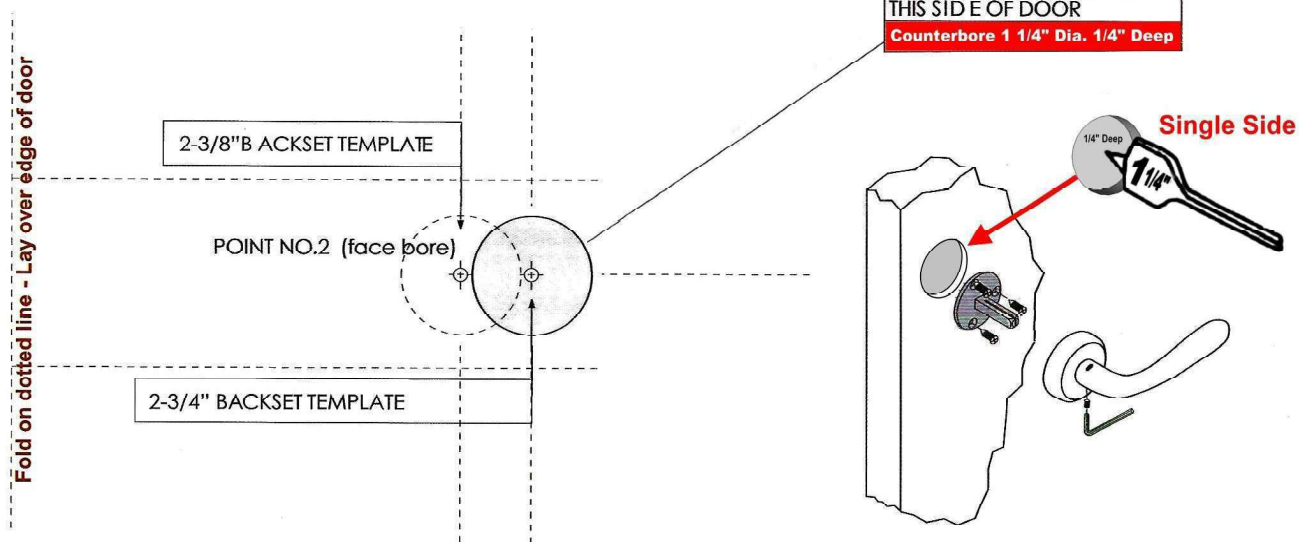


# Installation Instructions Function 30 Single (Half) Dummy

Feb 2022

BE SURE TO READ ALL INSTRUCTIONS BEFORE PREPARING DOOR.

## Determine Backset



# Installation Instructions Function 32 Double (Full) Dummy

Feb 2022

BE SURE TO READ ALL INSTRUCTIONS BEFORE PREPARING DOOR.

## Determine Backset

