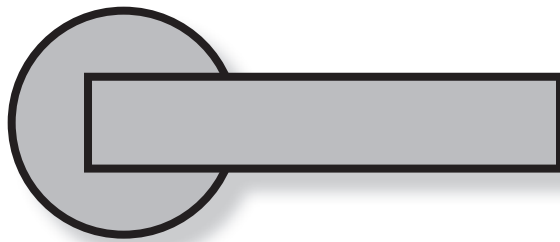


INSTALLATION INSTRUCTIONS

Lever on Euro (Small) Rosette

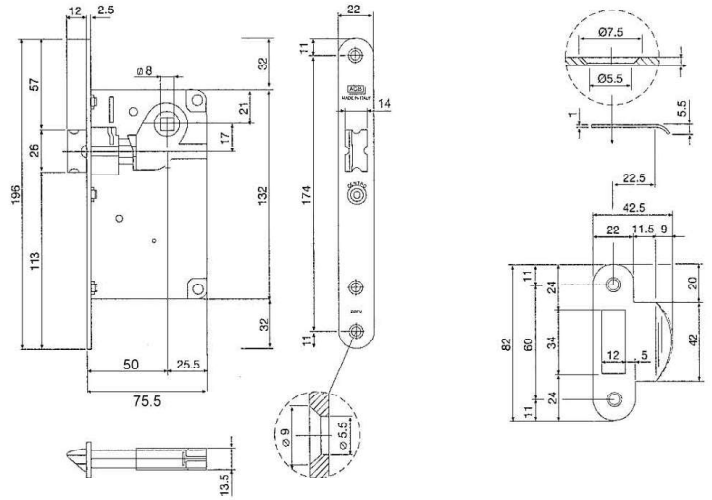
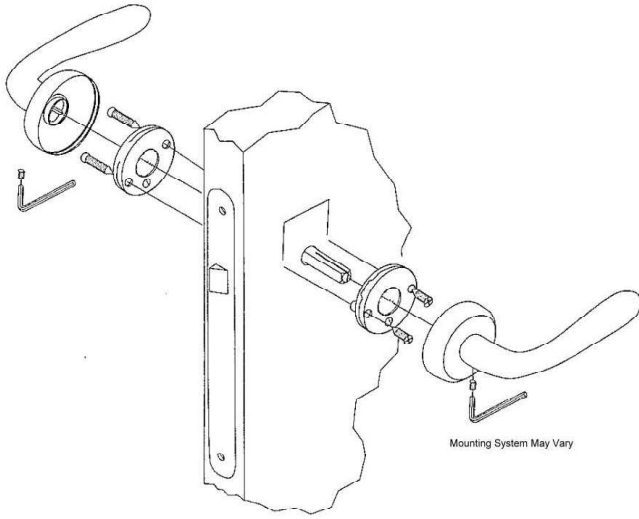


Mortise

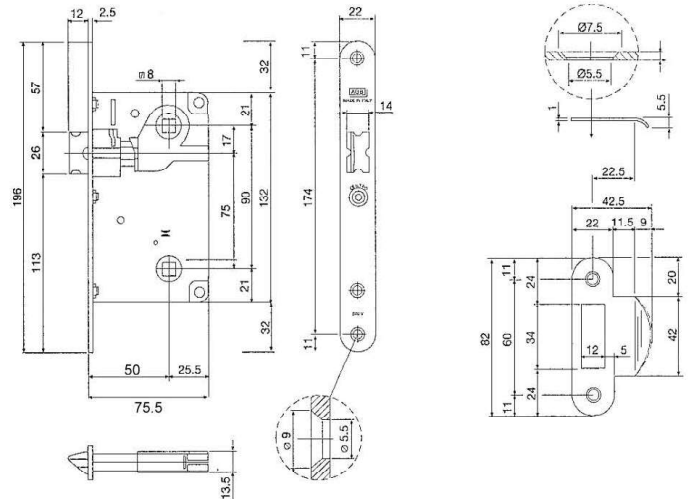
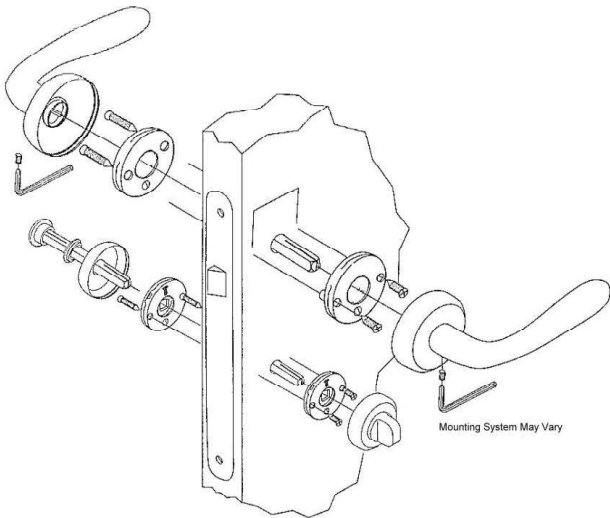
ALL FUNCTIONS

NOTE: TEMPLATE MAY NOT BE TRUE-TO-SIZE. Please use for reference purposes only.
DO NOT DRILL until measurements are verified.

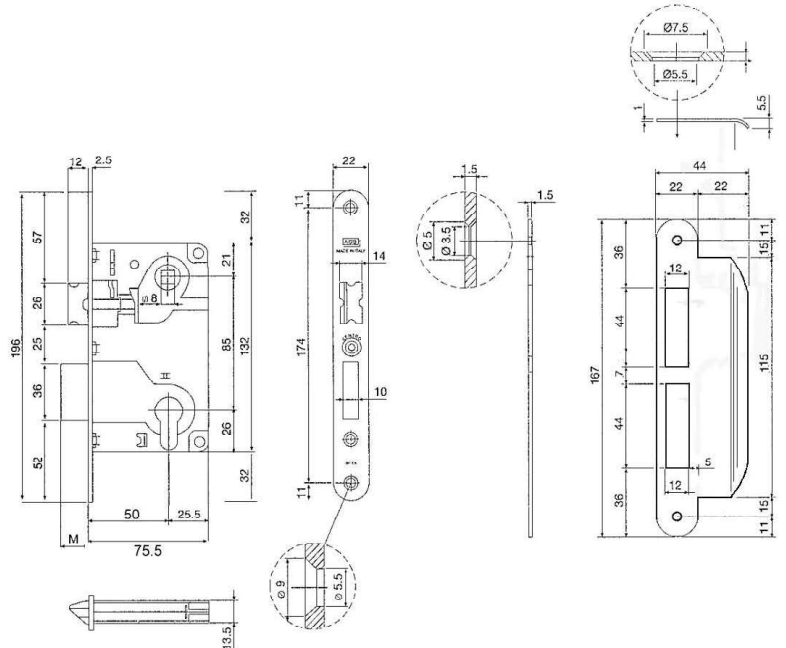
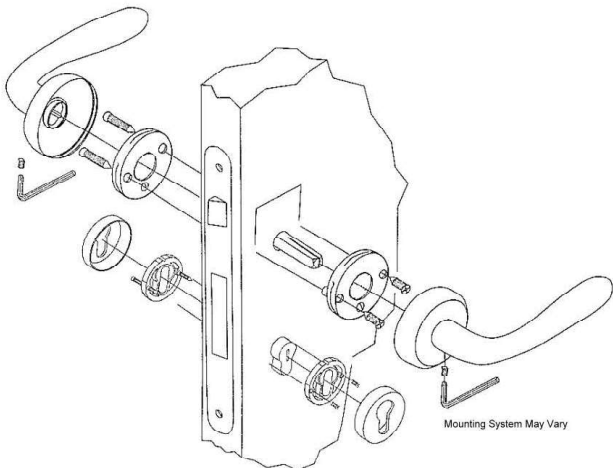
Passage 2" Backset Function 10 C90



Privacy 2" Backset Function 20 C90B



Keylock 2" Backset Function 40 C85

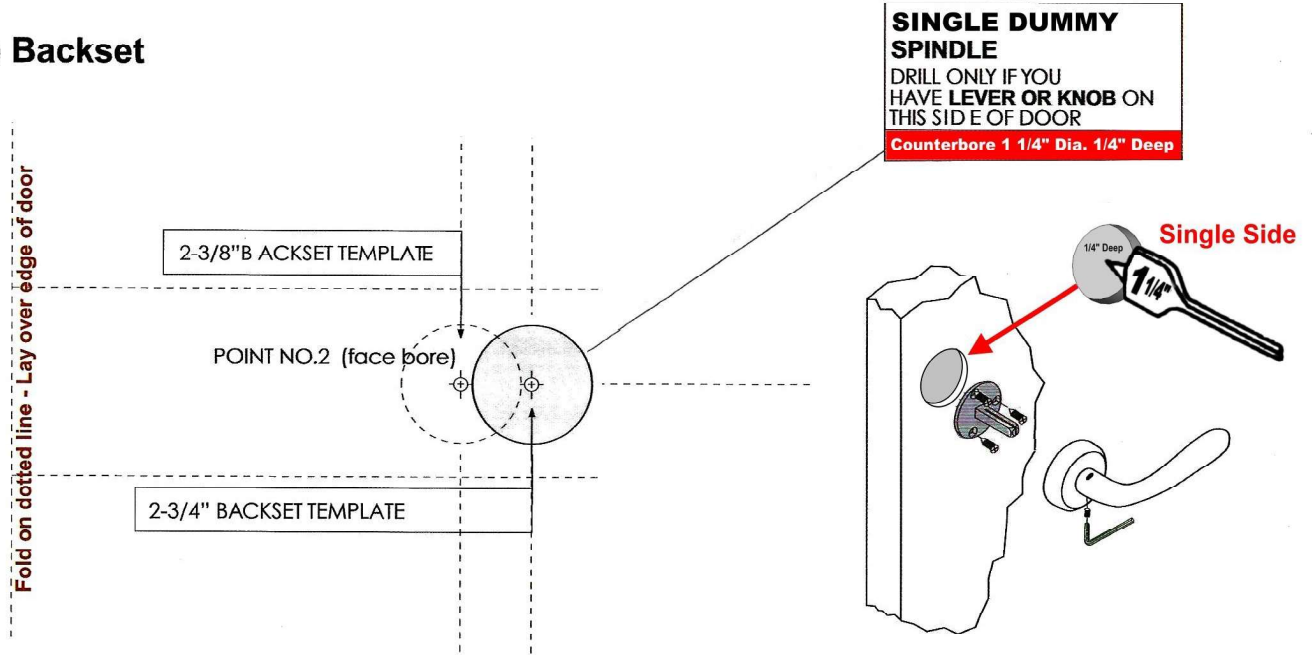


Installation Instructions Function 30 Single (Half) Dummy

Feb 2022

BE SURE TO READ ALL INSTRUCTIONS BEFORE PREPARING DOOR.

Determine Backset



Installation Instructions Function 32 Double (Full) Dummy

Feb 2022

BE SURE TO READ ALL INSTRUCTIONS BEFORE PREPARING DOOR.

Determine Backset

