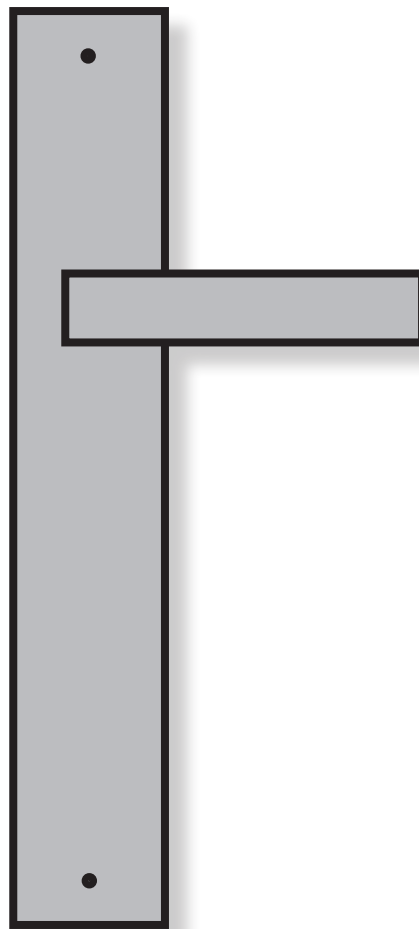


# INSTALLATION INSTRUCTIONS

## Lever on Narrow Plate



## Euro Mortise

**ALL FUNCTIONS**





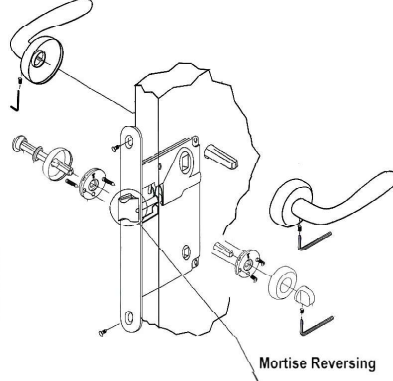
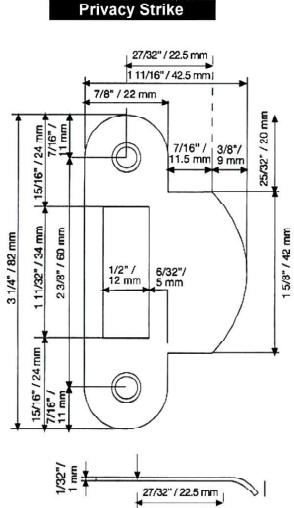
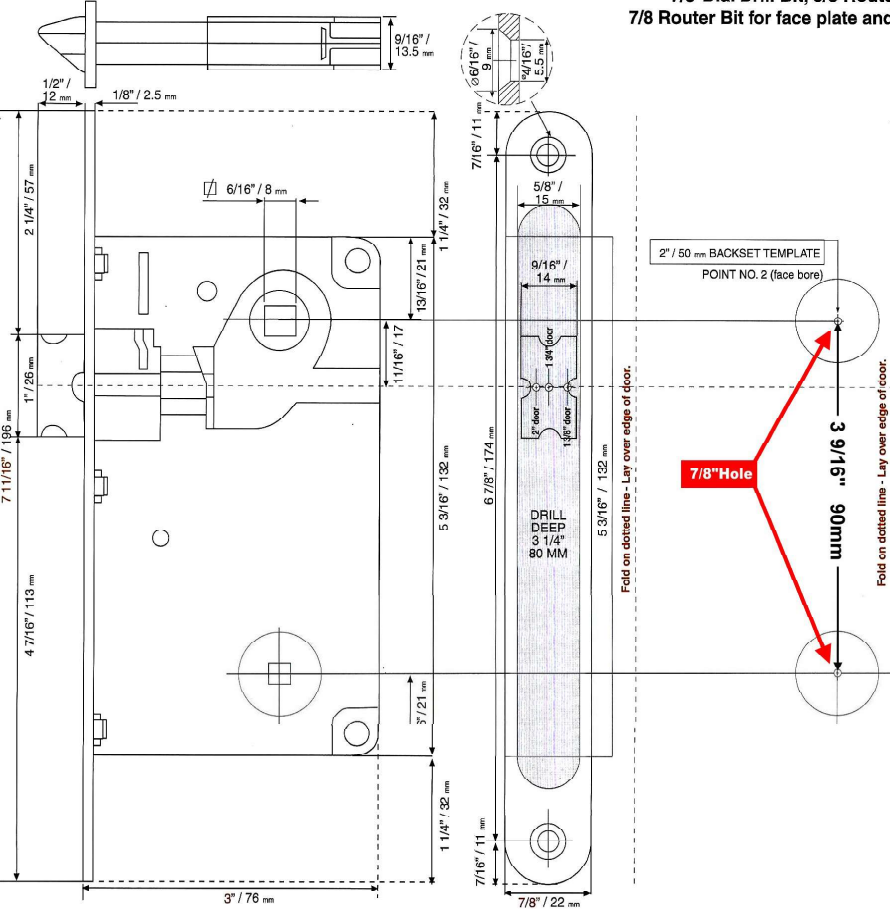
# Installation Instructions Function 20 Euro Mortise Privacy non-bored conditions

Feb 2022

**BE SURE TO READ ALL INSTRUCTIONS BEFORE PREPARING DOOR.**

## AM200 Euro Mortise

**TOOLS REQUIRED:**  
 7/8 Dia. Drill Bit, 5/8 Router Bit for Pocket,  
 7/8 Router Bit for face plate and Phillips Screwdriver.

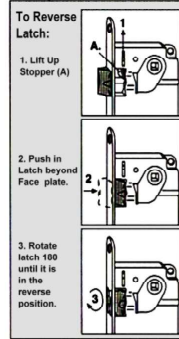


2" / 50 mm BACKSET TEMPLATE  
 POINT NO. 2 (face bore)

**7/8" Hole**  
 3 9/16" 90mm

Fold on dotted line - Lay over edge of door.

Fold on dotted line - Lay over edge of door.

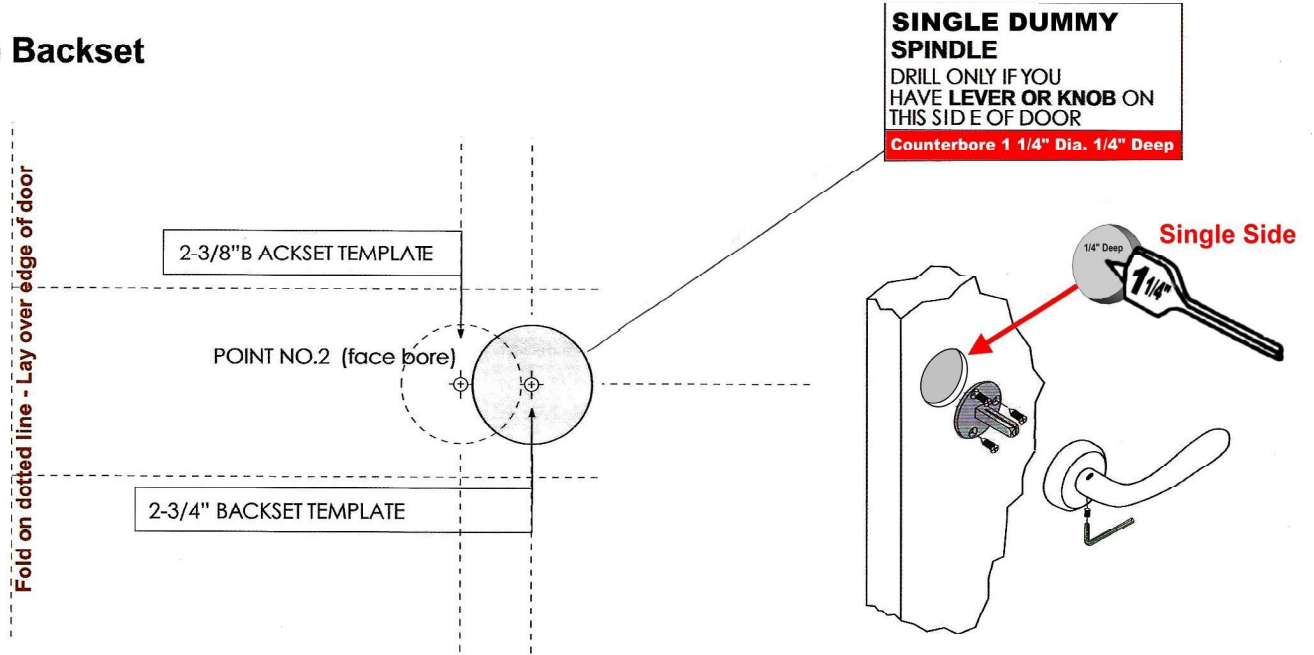


# Installation Instructions Function 30 Single (Half) Dummy

Feb 2022

BE SURE TO READ ALL INSTRUCTIONS BEFORE PREPARING DOOR.

## Determine Backset



# Installation Instructions Function 32 Double (Full) Dummy

Feb 2022

BE SURE TO READ ALL INSTRUCTIONS BEFORE PREPARING DOOR.

## Determine Backset

