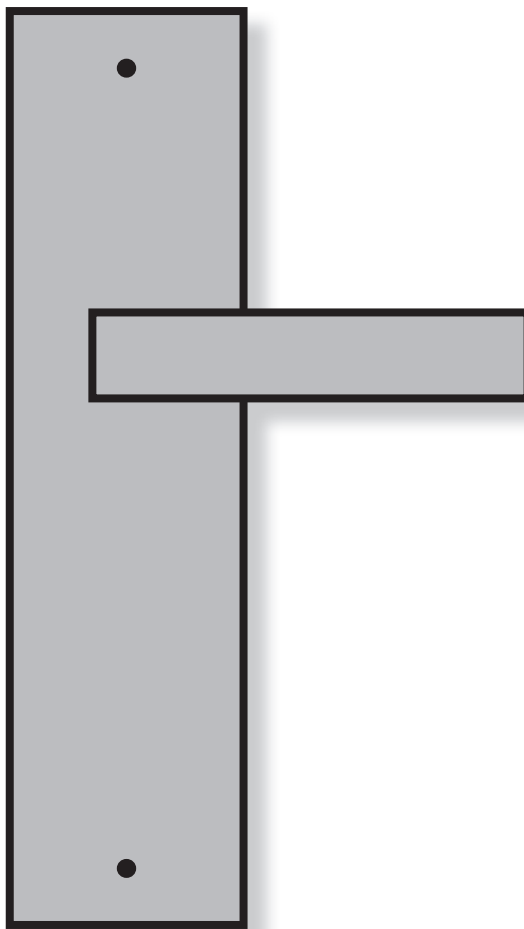


INSTALLATION INSTRUCTIONS

Lever on Wide Plate



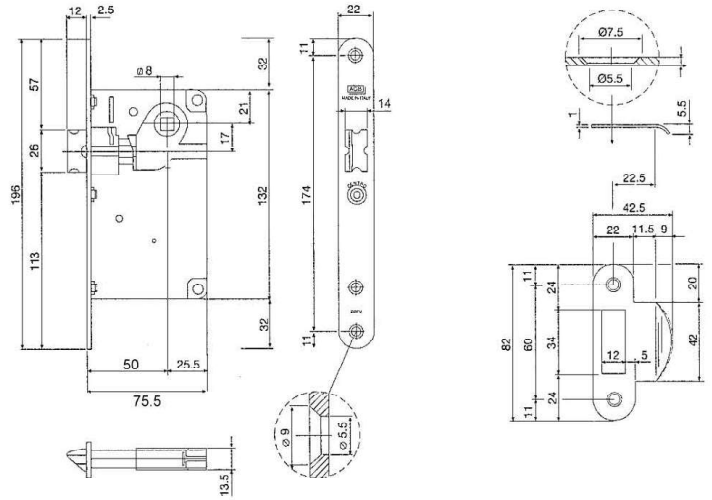
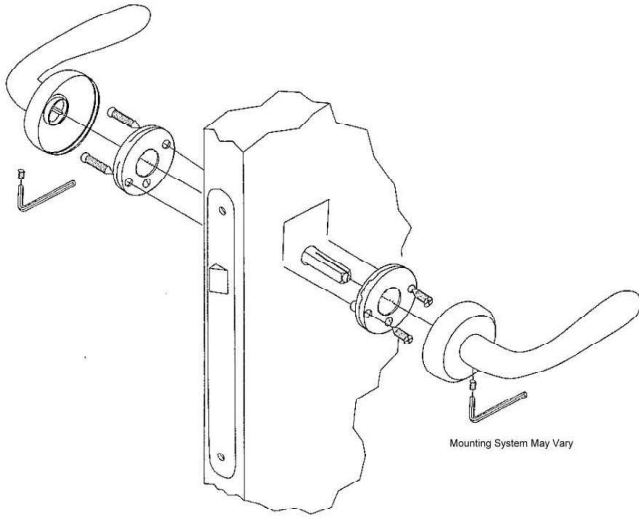
Euro Mortise

ALL FUNCTIONS

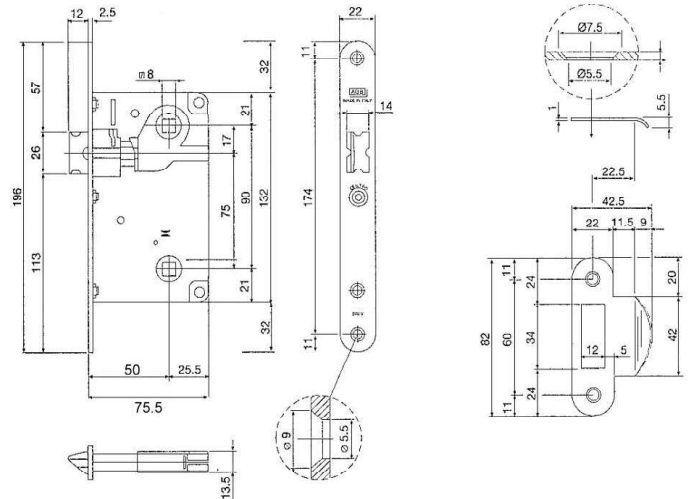
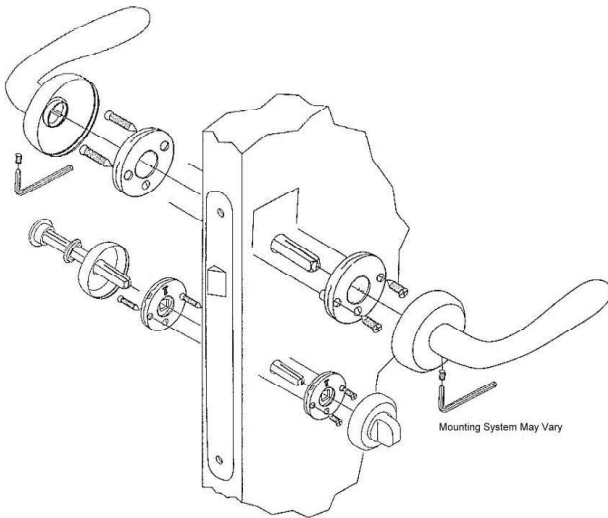
EXCLUSIVE DOOR HARDWARE

NOTE: TEMPLATE MAY NOT BE TRUE-TO-SIZE. Please use for reference purposes only.
DO NOT DRILL until measurements are verified.

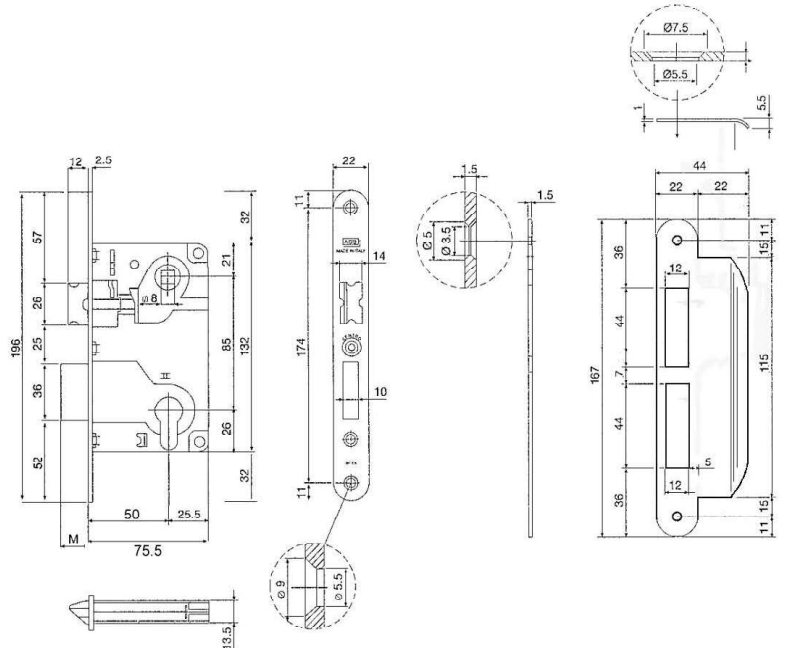
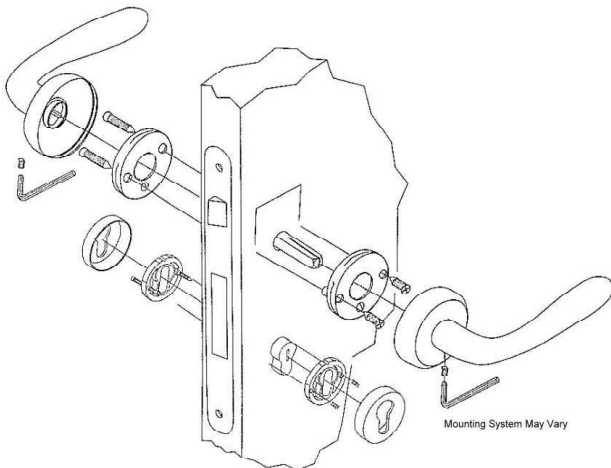
Passage 2" Backset Function 10 C90



Privacy 2" Backset Function 20 C90B



Keylock 2" Backset Function 40 C85



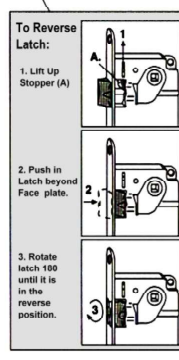
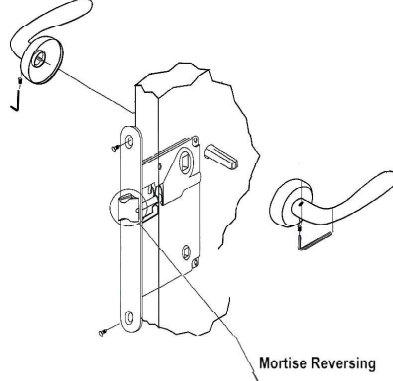
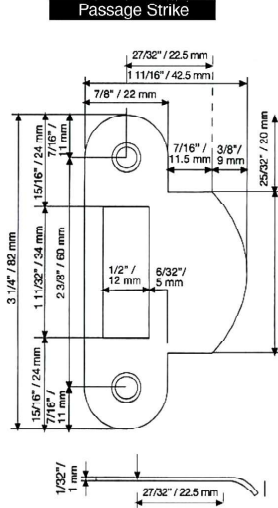
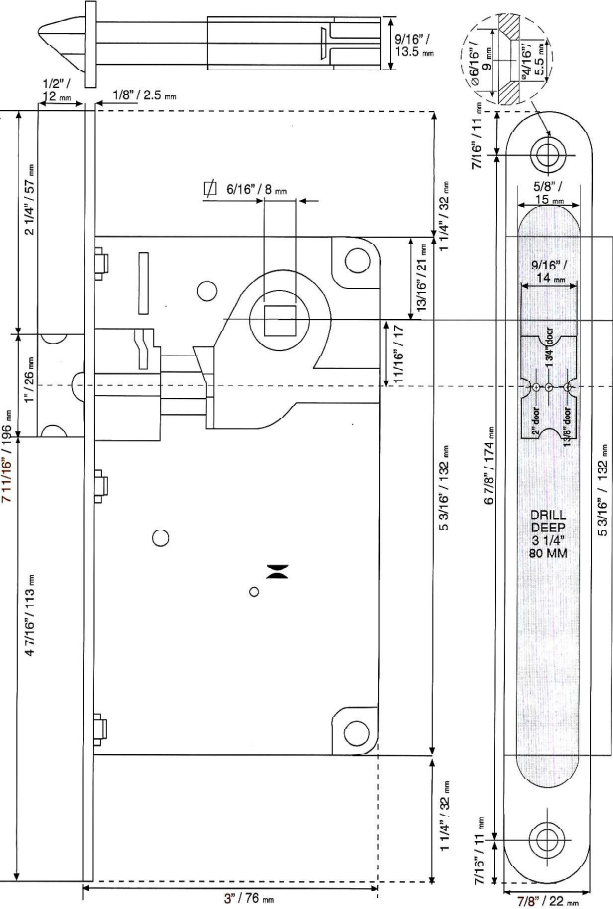
Installation Instructions Function 10 Euro Mortise Passage non-bored conditions

Feb 2022

BE SURE TO READ ALL INSTRUCTIONS BEFORE PREPARING DOOR.

AM200 Euro Mortise

TOOLS REQUIRED:
 7/8 Dia. Drill Bit, 5/8 Router Bit for Pocket,
 7/8 Router Bit for face plate and Phillips Screwdriver.



Installation Instructions Function 20 Euro Mortise Privacy non-bored conditions

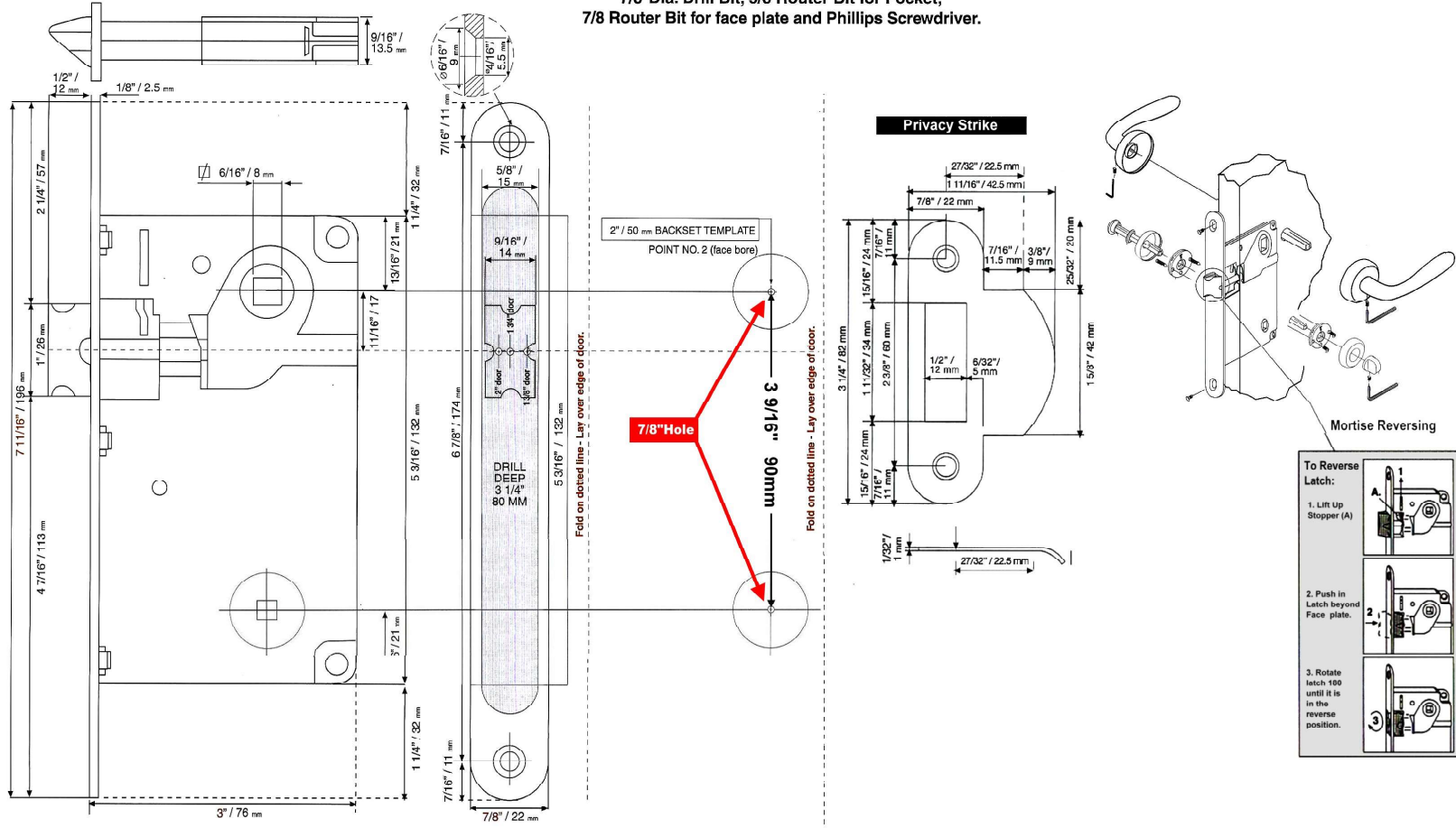
Feb 2022

BE SURE TO READ ALL INSTRUCTIONS BEFORE PREPARING DOOR.

AM200 Euro Mortise

TOOLS REQUIRED:

7/8 Dia. Drill Bit, 5/8 Router Bit for Pocket,
7/8 Router Bit for face plate and Phillips Screwdriver.

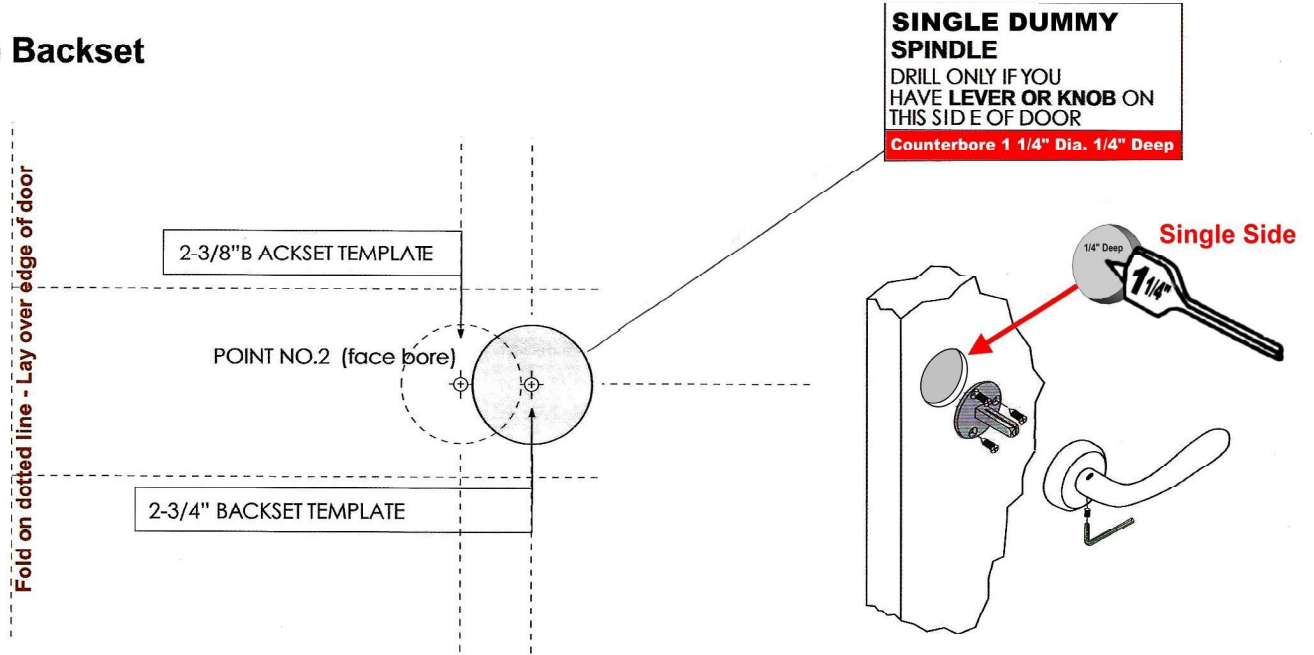


Installation Instructions Function 30 Single (Half) Dummy

Feb 2022

BE SURE TO READ ALL INSTRUCTIONS BEFORE PREPARING DOOR.

Determine Backset



Installation Instructions Function 32 Double (Full) Dummy

Feb 2022

BE SURE TO READ ALL INSTRUCTIONS BEFORE PREPARING DOOR.

Determine Backset

