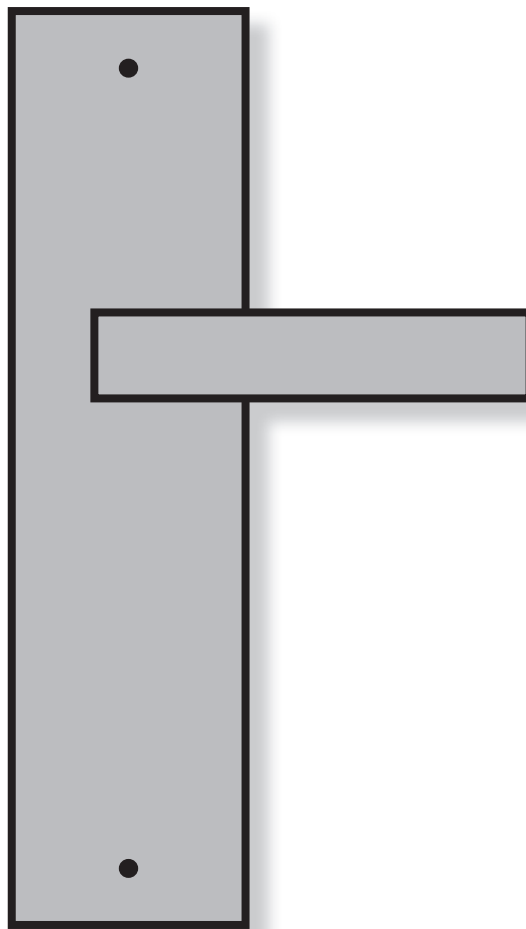


INSTALLATION INSTRUCTIONS

Lever on Wide Plate



Tubular Latch

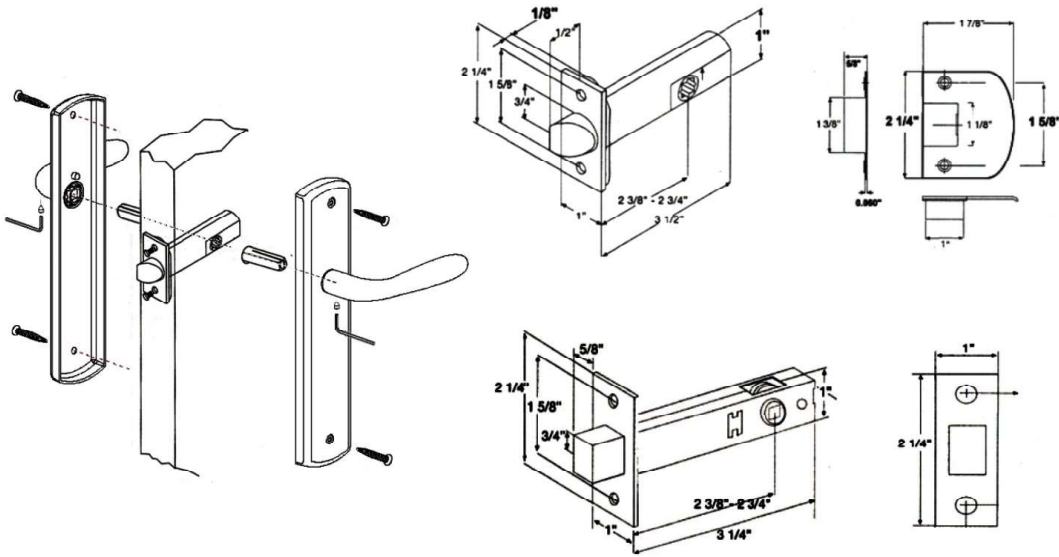
ALL FUNCTIONS

Installation Instructions Function 05 Passage / Function 15 Privacy non-bored conditions

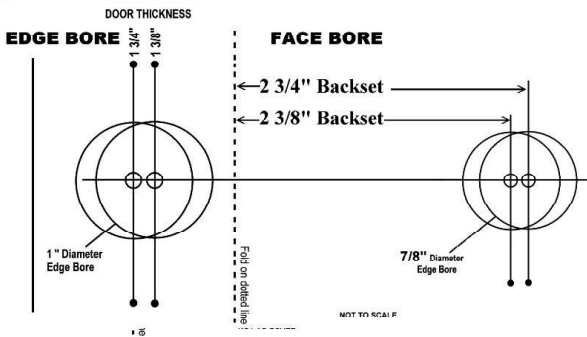
NOTE: TEMPLATE MAY NOT BE TRUE-TO-SIZE. Please use for reference purposes only.
DO NOT DRILL until measurements are verified.

Passage Function 05 2 3/8" or 2 3/4" Backset

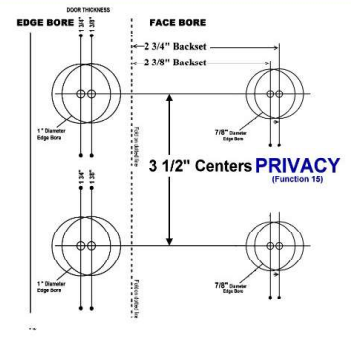
Privacy Function 15 2 3/8" or 2 3/4" Backset



TEMPLATE PASSAGE Function 05



TEMPLATE PRIVACY Function 15

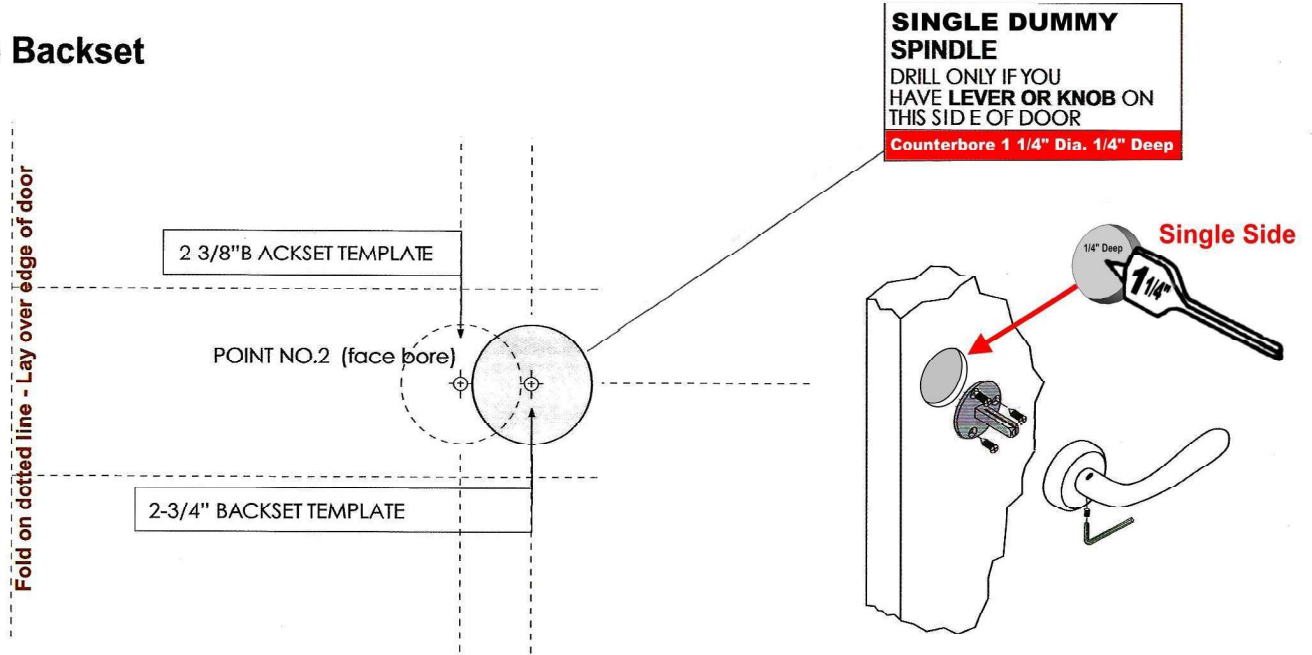


Installation Instructions Function 30 Single (Half) Dummy

Feb 2022

BE SURE TO READ ALL INSTRUCTIONS BEFORE PREPARING DOOR.

Determine Backset

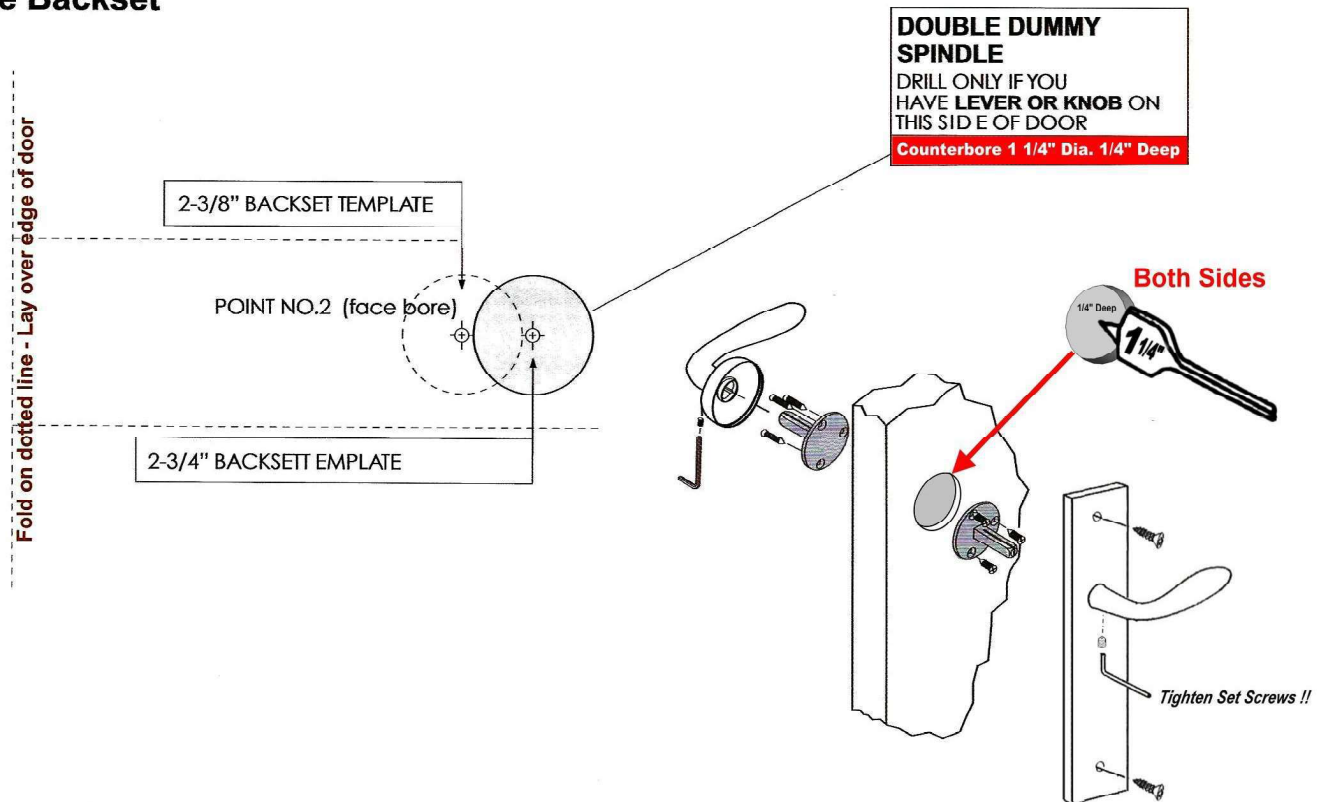


Installation Instructions Function 32 Double (Full) Dummy

Feb 2022

BE SURE TO READ ALL INSTRUCTIONS BEFORE PREPARING DOOR.

Determine Backset

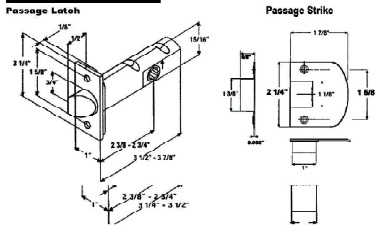


Installation Instructions Function 47 Tubular Keylock non-bored conditions

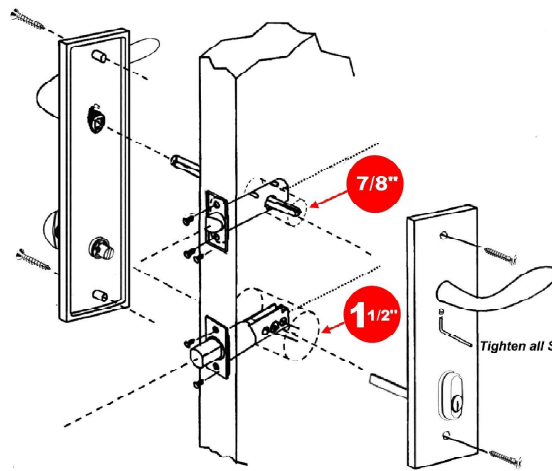
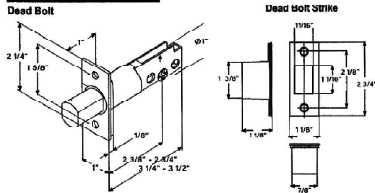
Feb 2022

BE SURE TO READ ALL INSTRUCTIONS BEFORE PREPARING DOOR.

Passage Latch & Strike

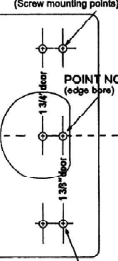


Dead Bolt & Strike



FACE PLATE

POINT NO. 3 (Screw mounting points)



Latch and Bolt Guide

2 3/8" Backset

Drill 1 1/2" or 2 1/8" Dia. Hole Through Door

POINT NO. 2 (face bore)

2 3/4" Backset

Drill 1 1/2" or 2 1/8" Dia. Hole Through Door

Fold on dotted line. Lay over edge of door

3 1/2" Center to Center

ATTENTION !!!
Not to Scale
Verify all Sizes on Site

IMPORTANT:
READ ALL INSTRUCTIONS CAREFULLY
BEFORE PREPARING DOOR

2 3/8" Backset

Drill 1 1/2" or 2 1/8" Dia. Hole Through Door

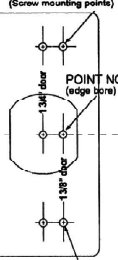
POINT NO. 2 (face bore)

2 3/4" Backset

Drill 1 1/2" or 2 1/8" Dia. Hole Through Door

FACE PLATE

POINT NO. 3 (Screw mounting points)



<h4>Position Template</h4> <p>Determine latch backset (2-3/8" or 2-3/4"). Fold enclosed template on dotted line and locate on door at desired height (diagram A). If door is bevelled (see diagram B), place folded edge on low side of bevel as shown above.</p>	<h4>Mark Door</h4> <p>Point 1 (edge bore) Point 2 (face bore) Point 3 (screw mounting points) Point 4 (screw mounting points)</p> <p>Mark door at points No. 1, No. 2, No. 3, and No. 4 and center punch for drilling.</p>	<h4>Drill Edge Bore</h4> <p>Point 1 (edge bore)</p> <p>1" dia. drill bit</p> <p>Drill 1" dia. hole. 2-3/8" backset... drill 3-5/8" deep. 2-3/4" backset... drill 4" deep.</p>	<h4>Drill Face Bore</h4> <p>7/8" dia.</p> <p>1-1/2" dia.</p> <p>Point 2 (face bore)</p>	
<h4>Position Faceplate</h4> <p>Finished head Faceplate</p> <p>Position finished faceplate over latch. Slide latch into edge bore. Check that screw mounting points are centered before tracing the outline of the finished faceplate.</p>	<h4>Chisel Mortise</h4> <p>1/8" dia. holes</p> <p>Remove latch. Drill 1/8" screw holes. Chisel out mortise 5/32" deep.</p>	<h4>Insert Latch</h4> <p>(UP)</p> <p>With "UP" side up, slide latch into edge bore.</p>	<h4>Attach Faceplate</h4> <p>Rotate head so angled side is toward strike when door closes. Position finished faceplate and fasten with two screws.</p>	
				<h4>Install Strike</h4> <p>Doorstop Strike Drill Template</p> <p>IMPORTANT! Before installing Strike, please mount hardware as shown in drawing above.</p> <p>Using strike template, mark jamb, drill screw holes and chisel mortise at proper location. Install strike.</p>

NOTE: Check to ensure face plate does not restrict free movement of the latch head. Repeat instruction 1 - 9 for latch bolt. Install trim.