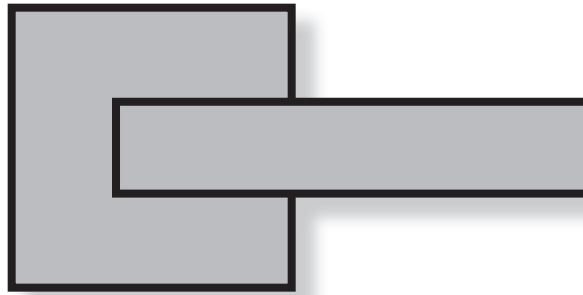


# INSTALLATION INSTRUCTIONS

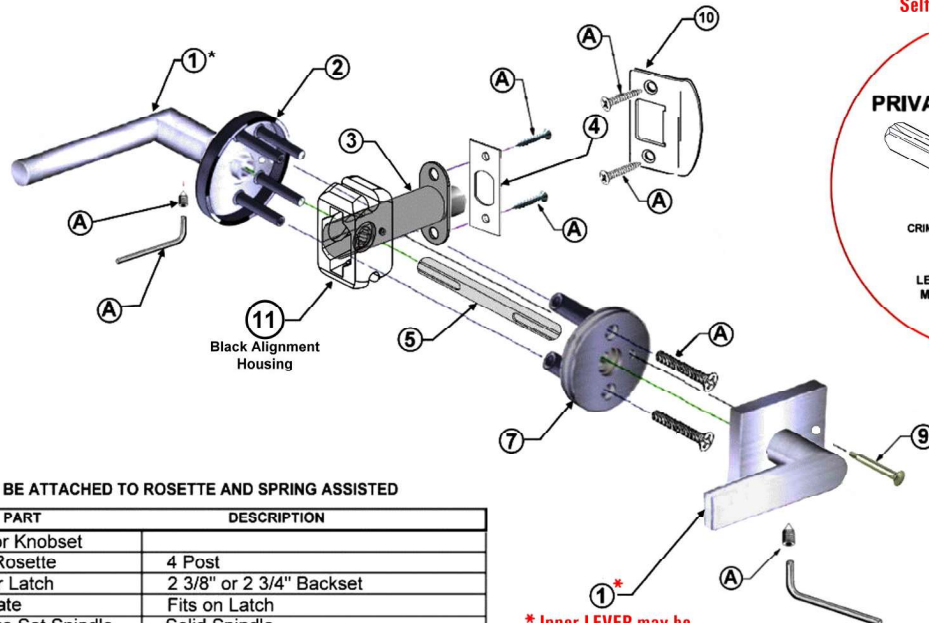
## Lever on Large Rosette



**ALL FUNCTIONS**

EXCLUSIVE DOOR HARDWARE

# INSTALLATION INSTRUCTIONS



### Self-Aligning Split Spindle



\* Inner LEVER may be detached on some Models

### SQUARE ROSETTES ONLY !!



ROSE SET SCREW MUST ENGAGE THE GROOVE ON the SUB-ROSE ⑦

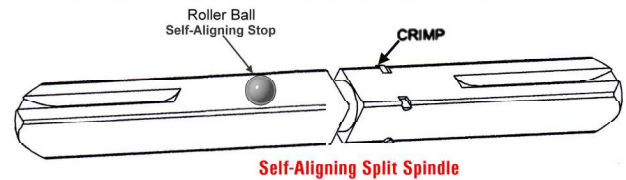
\* LEVERS MAY BE ATTACHED TO ROSETTE AND SPRING ASSISTED

FUNCTION	ITEM NO.	PART	DESCRIPTION
CODE 50	1	Lever or Knobset	
CODE 60	2	Outer Rosette	4 Post
	3	Tubular Latch	2 3/8" or 2 3/4" Backset
	4	Faceplate	Fits on Latch
	5	Passage Set Spindle	Solid Spindle
	6	Privacy Set Spindle	Split Spindle
	7	Inner Assembly	2 Post
	8	Outer Rosette	
	9	Privacy Pin	For Privacy Installation Only
	10	Standard "D" Strikeplate	Mounts on Door Frame
	11	BLACK Alignment Housing	2- Nylon Washers (Knobsets Only)
ROSETTE			
RR- Plain			2- 5mm Set Screw
RR- Wave			1- 5mm Set Screw (Square Rosette)
RR- Square			1- 2.5mm Allen Key
RR- Beaded			4- #8 x 20mm Flat Head Wood Screws
RR- Country			2- 4mm x 24mm Machine Screws (Rosette)
RR- Rope			2- 4mm x 35mm Machine Screws (Rosette)
	A	Screw Pack	

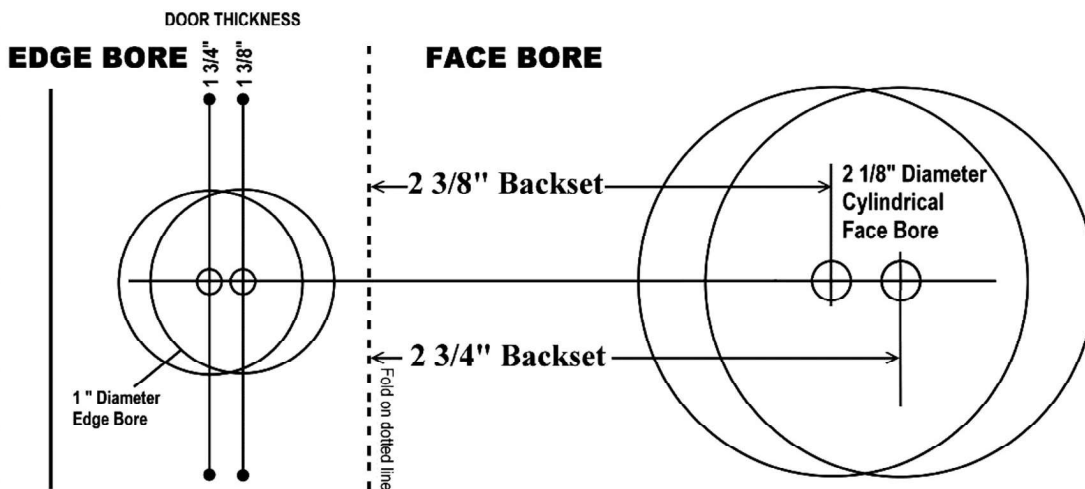
## PRIVACY SPLIT-SPINDLE INSTALLATION - Please Read Carefully !!

1. Install Split-Spindle with Roller Ball going through latch until it stops.
2. Spindle is now in Self- Aligned position.
3. Install Outside adaptor and tighten set screws firmly.
4. Thread on PRIVACY PIN and test operation.

### PRIVACY MUST HAVE SPLIT SPINDLE



## TEMPLATE



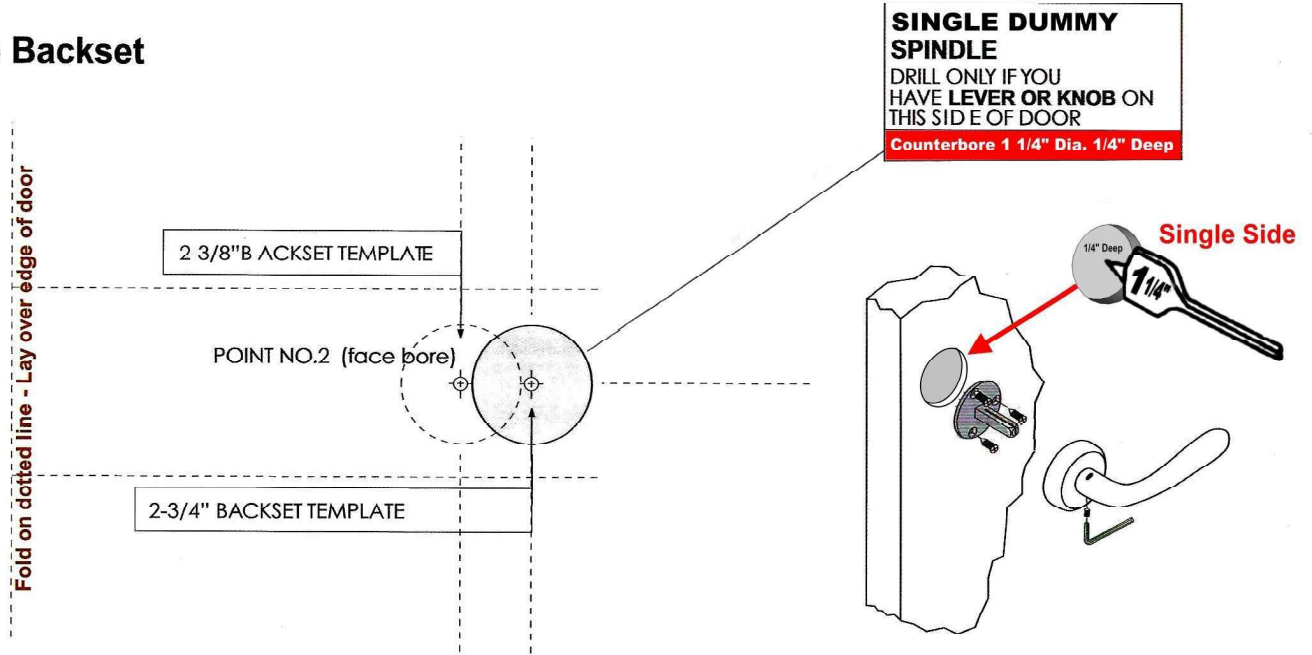
**NOT TO SCALE  
CONFIRM ALL  
MEASUREMENTS  
ON SITE!!!**

# Installation Instructions Function 30 Single (Half) Dummy

Feb 2022

BE SURE TO READ ALL INSTRUCTIONS BEFORE PREPARING DOOR.

## Determine Backset



# Installation Instructions Function 32 Double (Full) Dummy

Feb 2022

BE SURE TO READ ALL INSTRUCTIONS BEFORE PREPARING DOOR.

## Determine Backset

