



# AURUM DESIGN



**Stock Finishes:**

- US15 - Satin Nickel
- US19 - Flat Black
- US4 - Satin Brass
- US14 - Polished Nickel

<b>Model</b>	<b>MR6100PGE</b> MODA Pocket Door Mortise	Height-Plate 7 1/2"	Width-Plate 2 3/8"	Backset: 2 1/2"
				Available Door Thickness: 1 3/8" and 1 3/4"

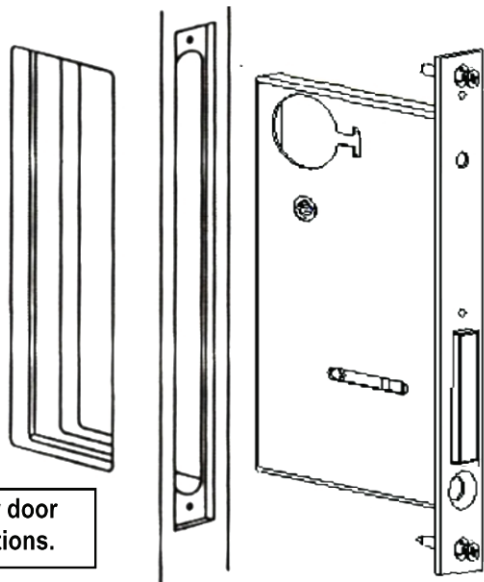
EXCLUSIVE DOOR HARDWARE

# INSTALLATION INSTRUCTIONS

AUG. 2022

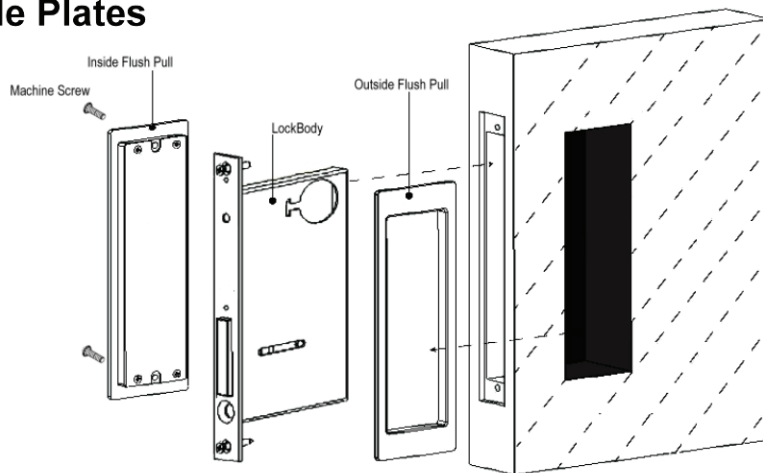
## MR6100PGE - MODA POCKET DOOR MORTISE SET

### 1 Install Lock Body



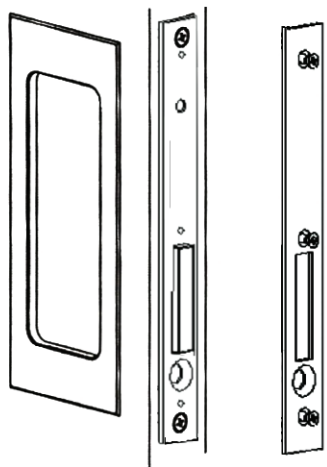
See template for door prep. specifications.

### 2 Mount Inside/Outside Plates

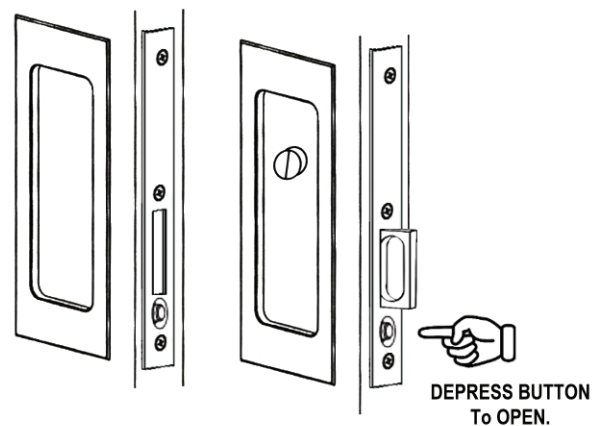


See template for door prep. specifications.

### 3 Install Faceplate Cover



### 4 Check Operation



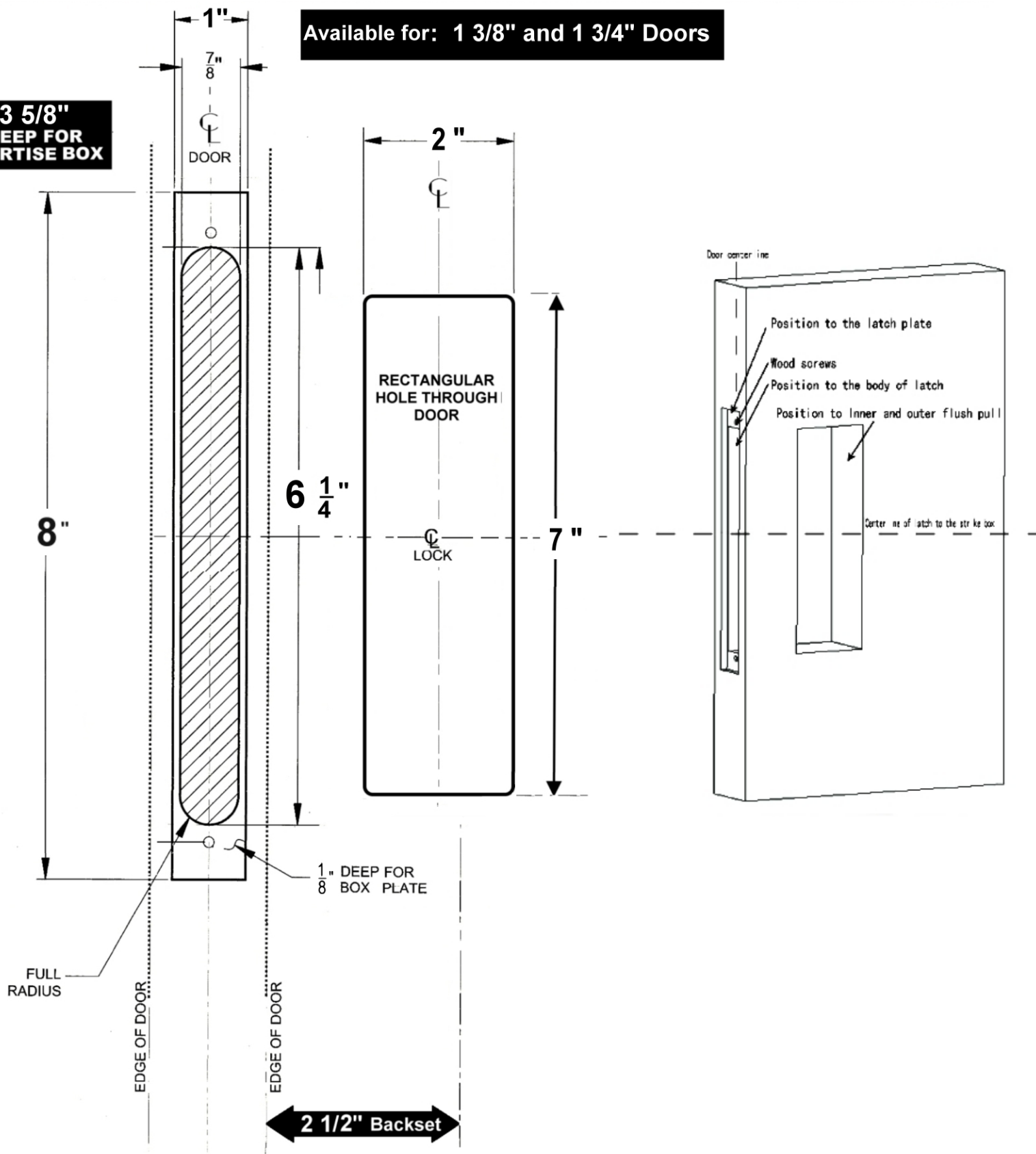
# INSTALLATION TEMPLATE

AUG. 2022

## MR6100PGE - MODA POCKET DOOR MORTISE SET

Available for: 1 3/8" and 1 3/4" Doors

3 5/8"  
DEEP FOR  
MORTISE BOX



TEMPLATE NOT TO SCALE !