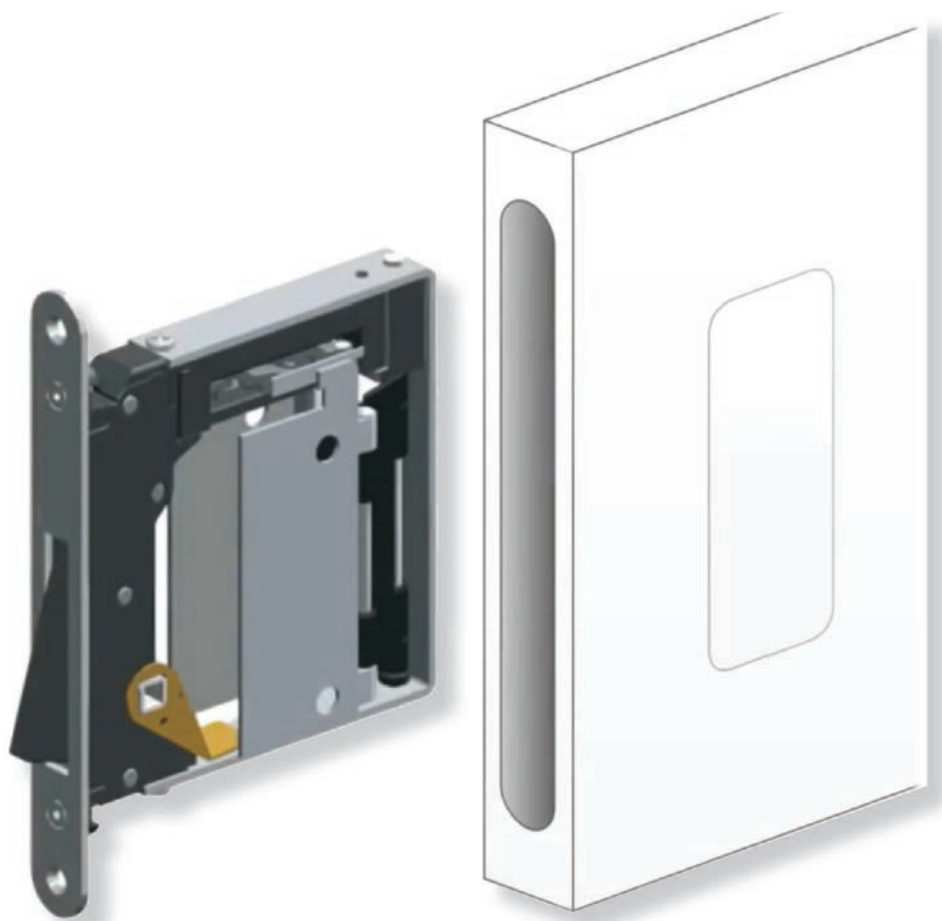


INSTALLATION INSTRUCTIONS

Pocket Door Pulls No-Ha Flush Pulls



Passage - Privacy

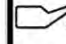
ALL FUNCTIONS

EXCLUSIVE DOOR HARDWARE

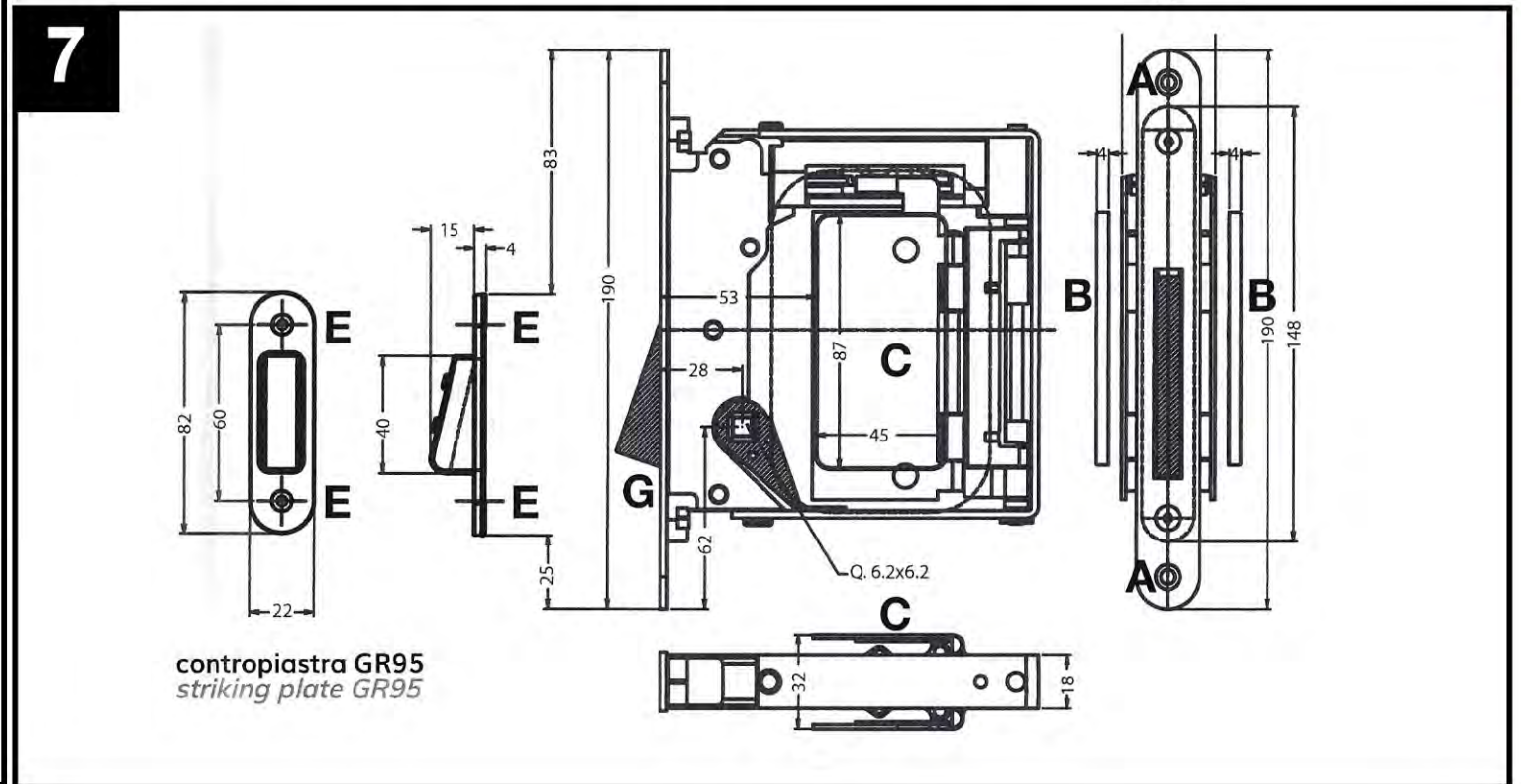
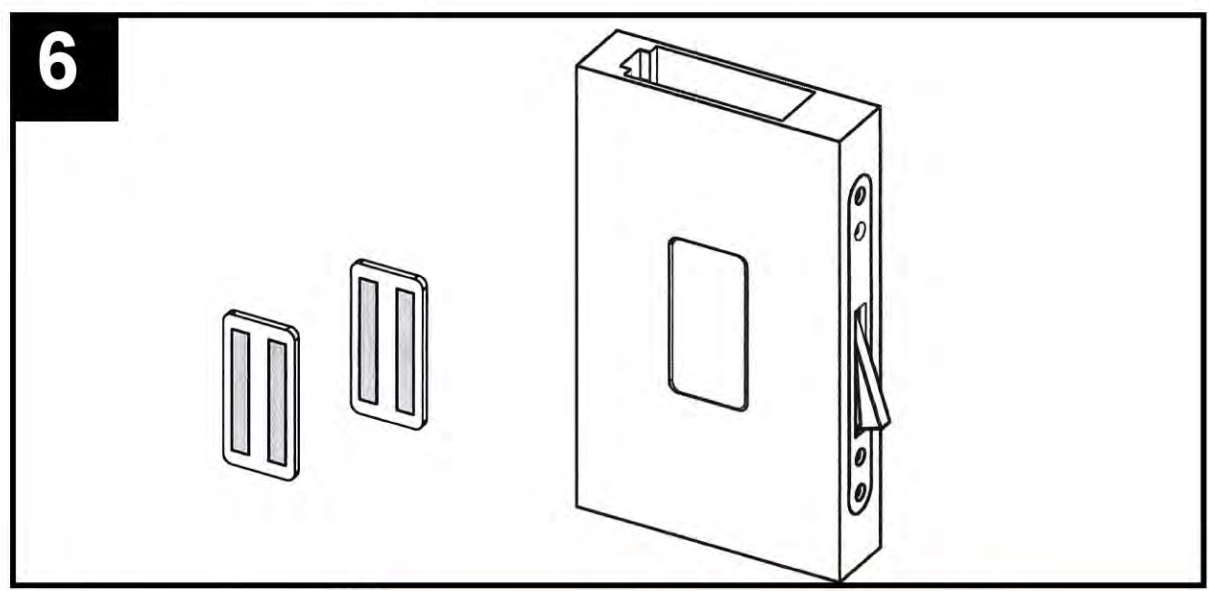
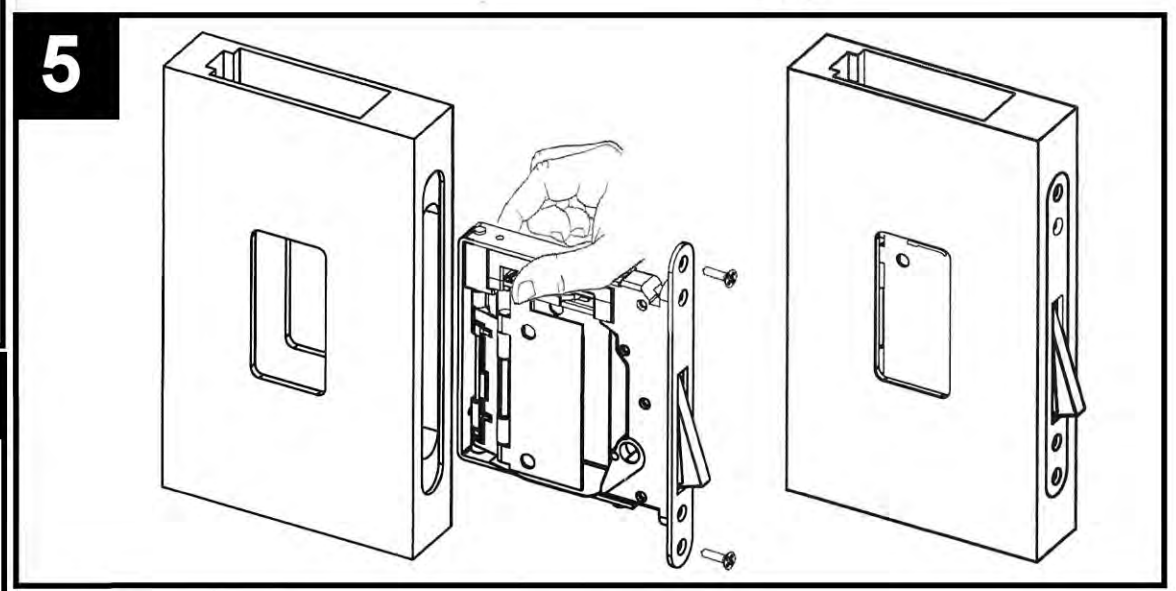
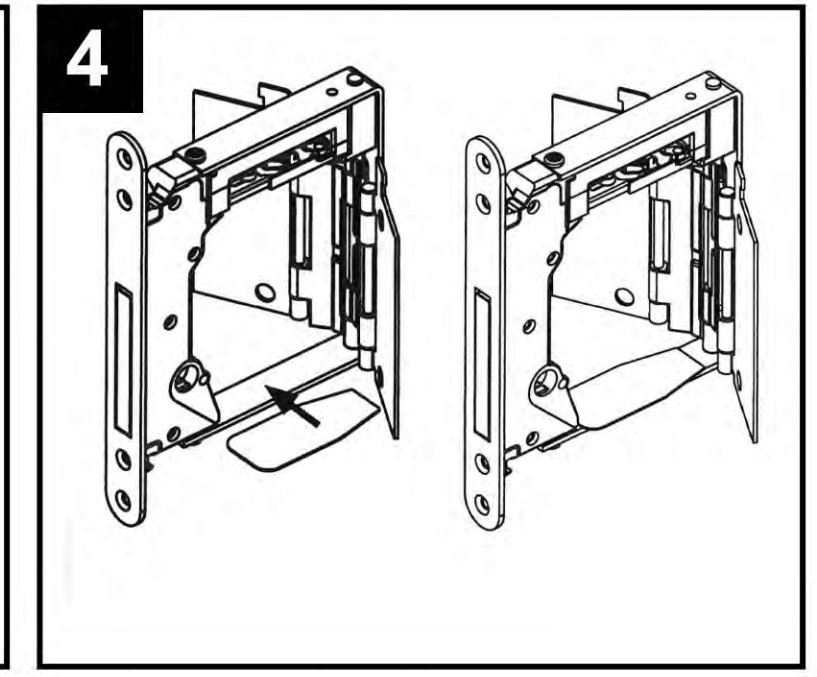
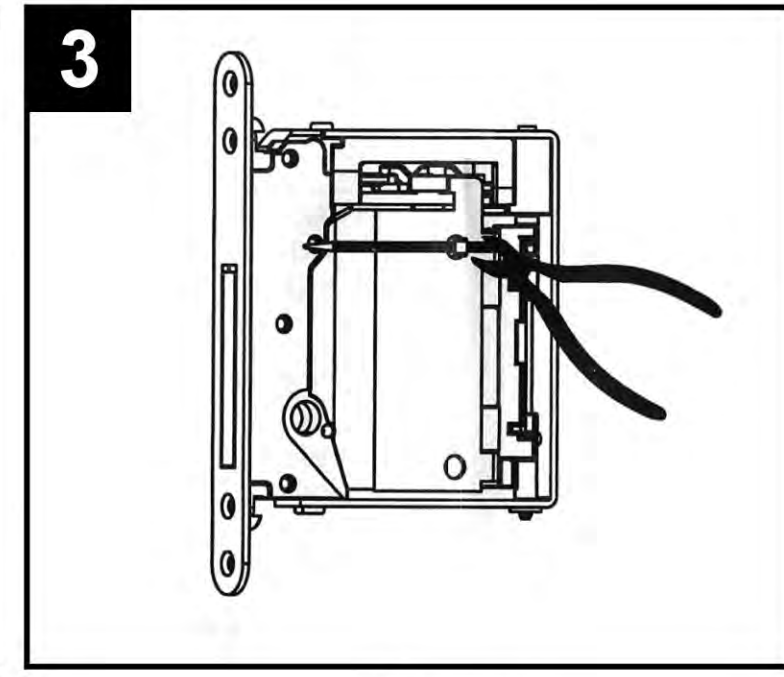
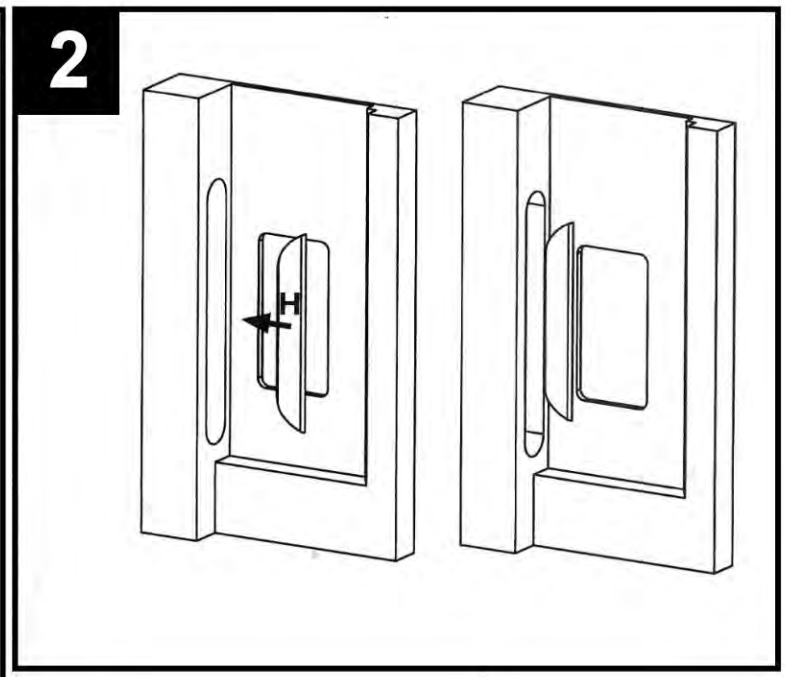
NO-HA MINI Invisible lock INSTALLATION INSTRUCTIONS

WARNING THE NO-HA MINI LOCK CAN BE FITTED ON A TRADITIONAL DOOR, BUT A PARTICULAR MILLING PROCEDURE IS REQUIRED IN ORDER TO CREATE THE SPACE FOR THE DEVICE **1**

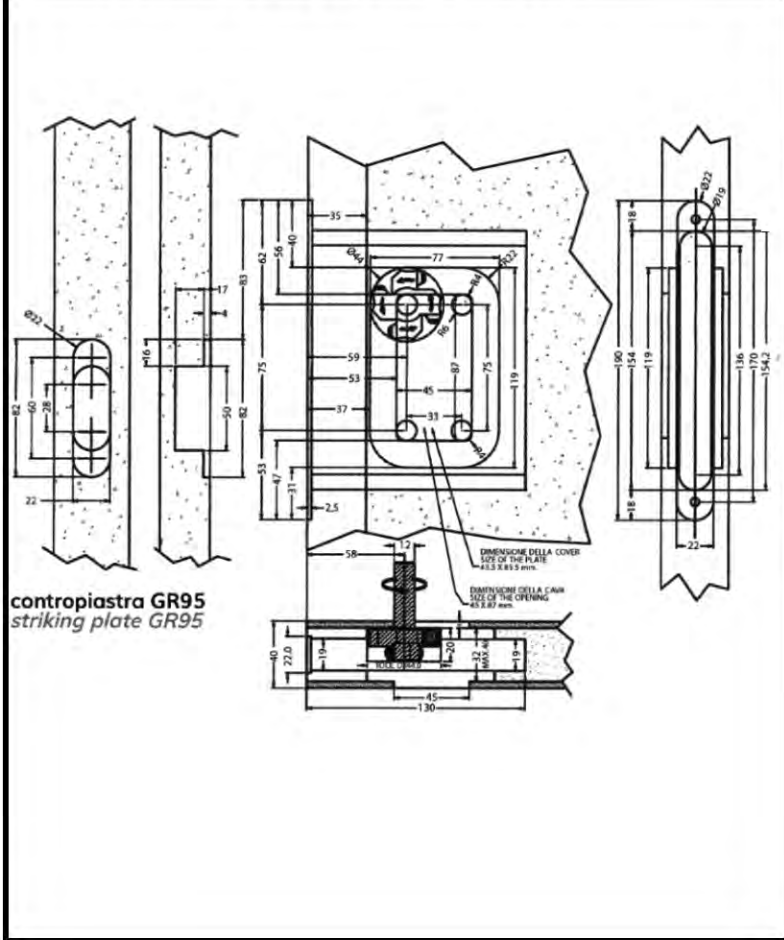
INSTALLATION PROCEDURE

- 2** Apply the two finger-rest H inside the cavity, using the long adhesive tapes.
- 3** Remove the band which blocks the two flap plates.
- 4** Apply the black cover (only aesthetic function).
-  Lubricate with grease the external part of the brass triggers.
- 5** Insert the lock holding the two flap plates. Check the correct function of two lateral flap plates. Fasten the lock with the 2 screws A on the door.
- 6** Put the two short adhesive tapes on the back of each cover C (not included, to be purchased separately).
- 7** Verify the correct operation of the lock as follows:
 - a) pull the oscillating latch G out of the front plate by pushing its upper side
 - b) engage the plate-cover B; the latch G must retract
 - c) put the striking plate G992 or GR95 opposite to the front plate; the latch (G) must come out.
- 8** Fasten the striking plate on the frame with the screws E (not included). Check the door closing and, if needed, adjust the position of the striking plate acting on screws (F).

 **YouTube** NOHA MINI



1. Dimensions



SPECIAL TOOL

