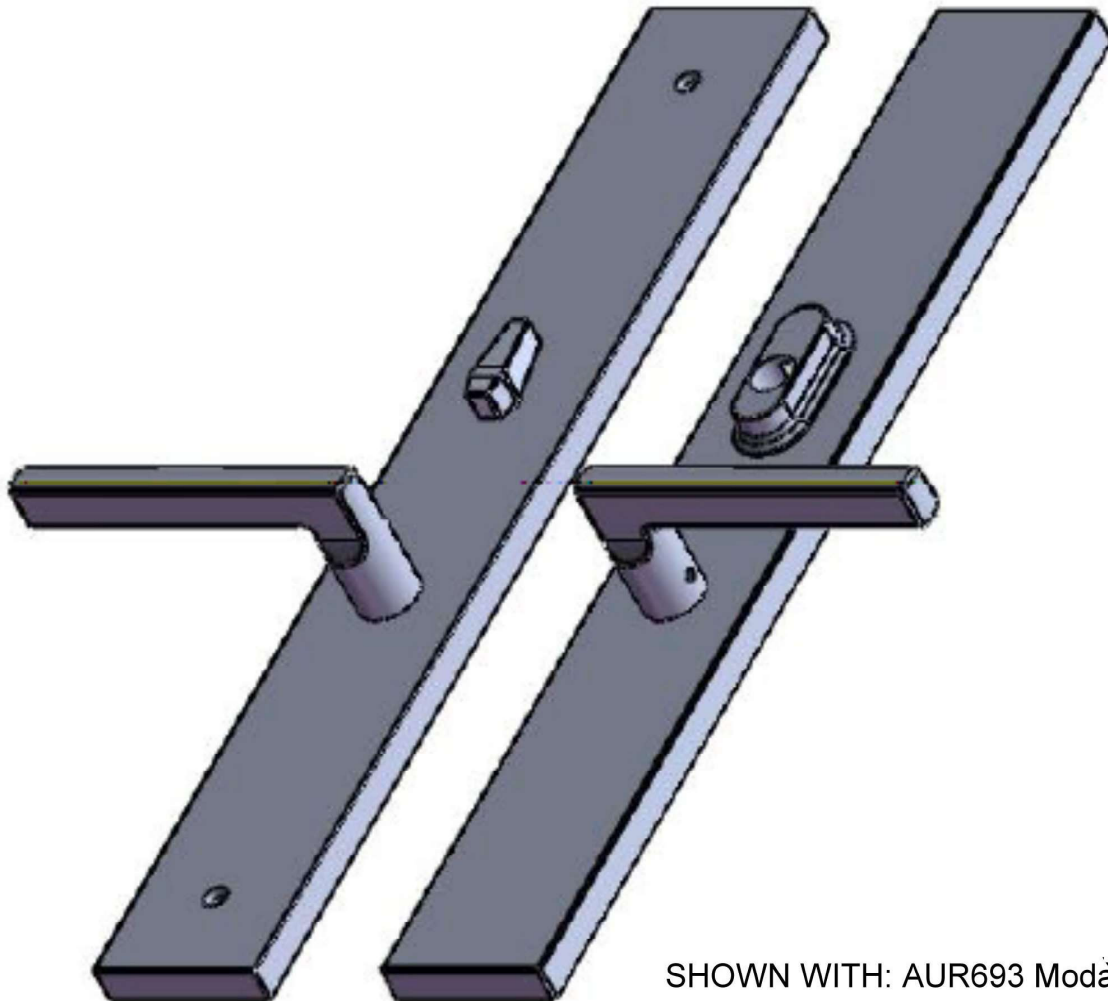


GML400RV Multipoint Entry

Jan 2025

NEW VERSION 2025

FEATURES:
NO HANDING REQUIRED
(FIELD REVERSABLE)
INSULATING FOAM INCLUDED.

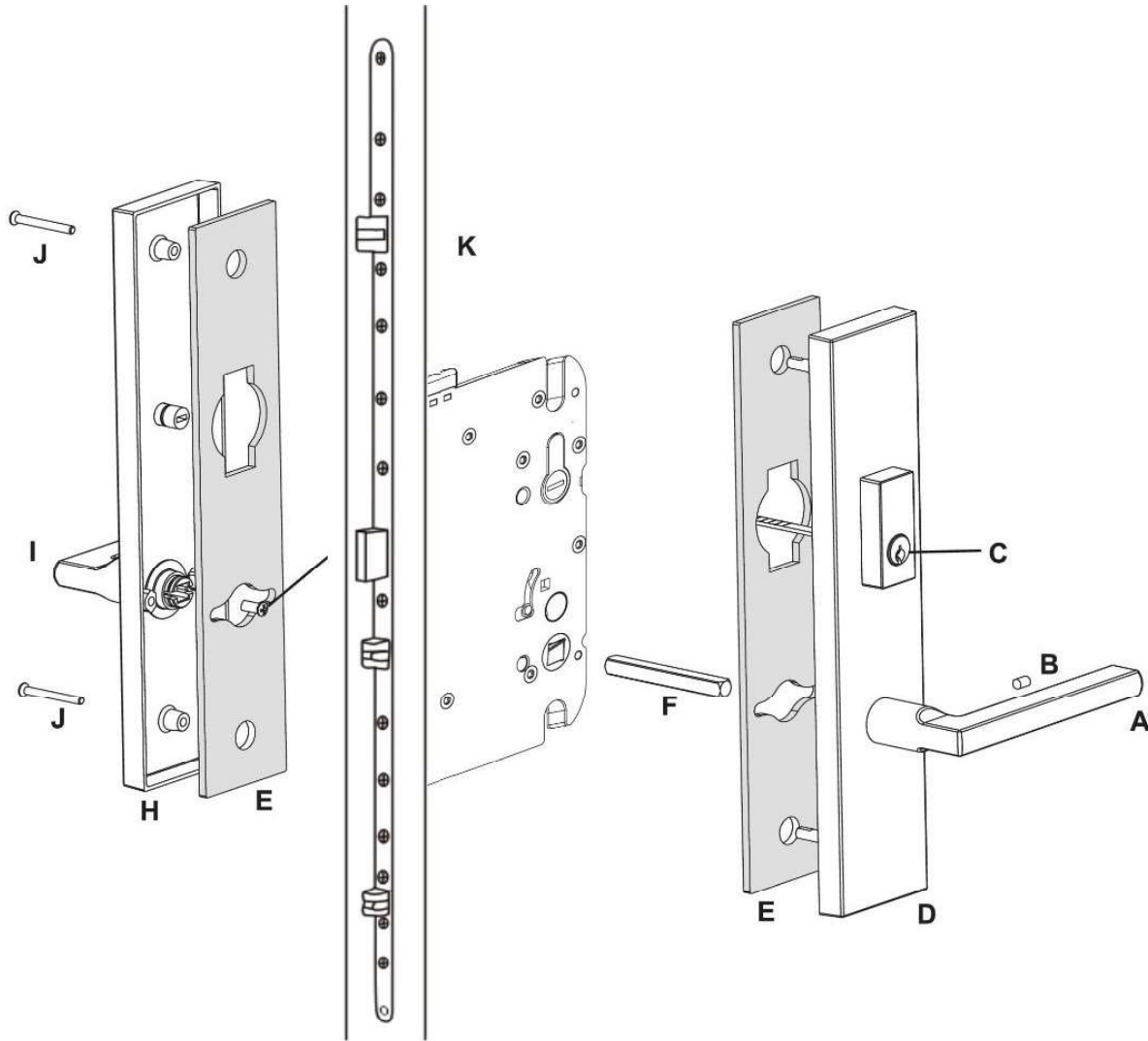


SHOWN WITH: AUR693 Modà Lever

GML400RV Multipoint Entry

Jan 2025

INSTALLATION INSTRUCTION



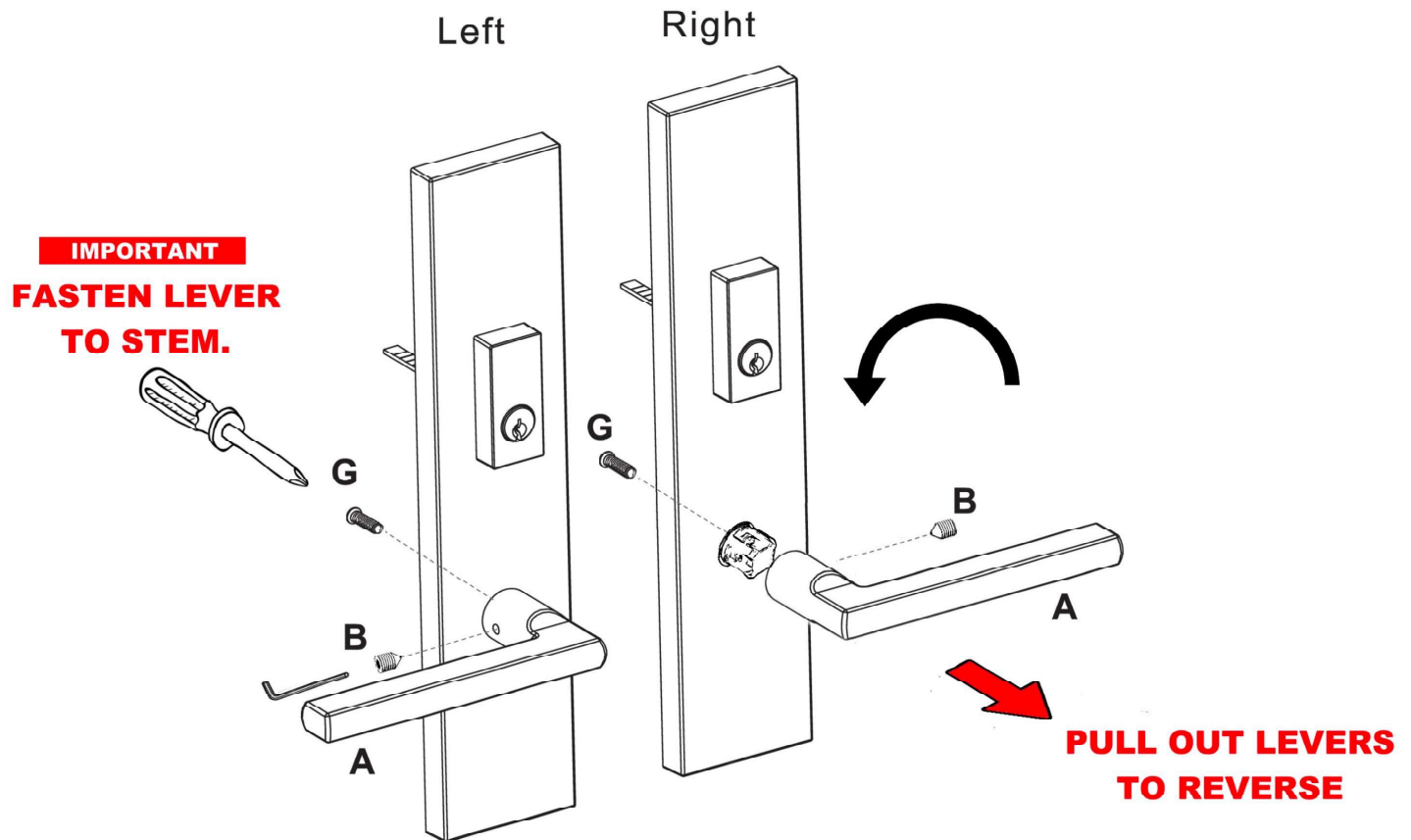
- A. External Handle
- C. Lock Cylinder
- E. Insulating Foam
- G. Fixing Screw
- I. Interior Handle
- K. Lock Body (Supplied by Others)

- B. Hex Screw
- D. External Trim
- F. Spindle 8mm x 8mm
- H. Interior Trim
- J. Plate Screw

GML400RV Multipoint Entry

Jan 2025

Adjusting to Left or Right-Hand Opening



1. Loosen the small hex screw(B) at the top of the lever and carefully remove the lever from its position.
2. Rotate the handle(A and I) to the desired direction (left or right).
3. Use the fixing screw (G) from the accessory pack:
 - Insert the fixing screw into the interior of the lever head.
 - Tighten it securely to hold the handle in place.
4. Retighten the small hex screw(B) to ensure it is securely fixed.

Note:

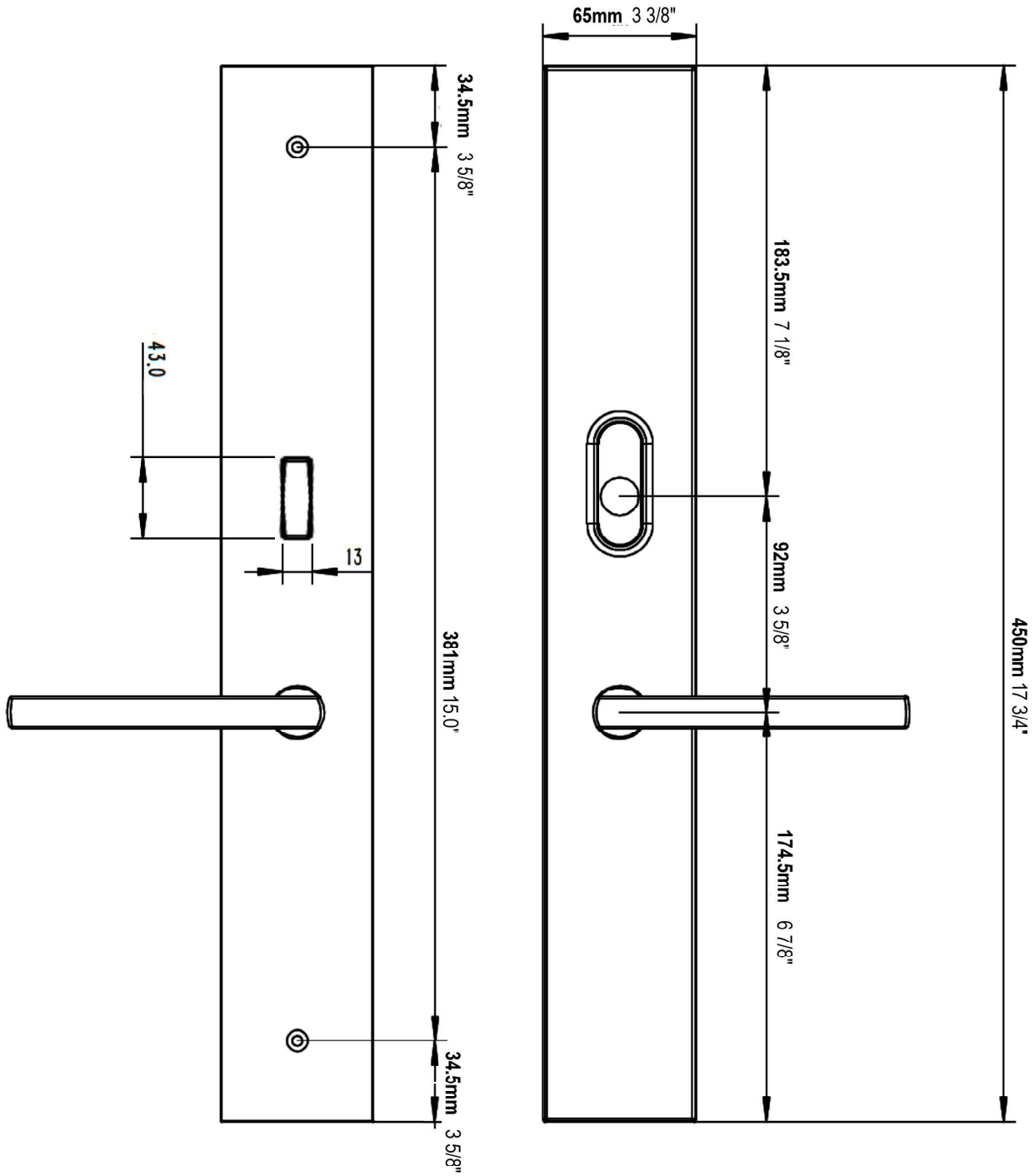
For handles that are not symmetrical after a 180° rotation:

- Swap the positions of the front lever and rear lever to achieve the correct orientation.
- Repeat the steps above to complete the adjustment.

GML400RV Multipoint Entry

Jan 2025

DIMENSIONS (mm)



AUR693 Lever